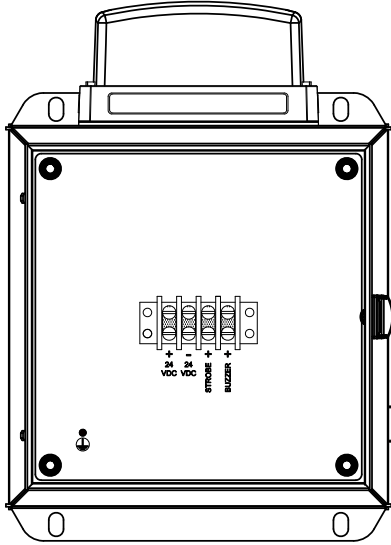


- GENERAL NOTES:**
- 1) ALL DIMENSIONS ARE IN mm [inches]
 - 2) ALL DIMENSION TOLERANCE +1mm (.04 INCHES)
 - 3) POLYESTER POWDER BLUE (RAL5015) PAINT.
 - 4) MAIN ENCLOSURE: EXM 5412 ESCH141206
 - 5) MAIN ENCLOSURE DIMENSIONS: 355.6 X 304.8 X 152.4D (14 X 12 X 6D)
 - 6) MAIN ENCLOSURE MOUNTING DIMENSIONS: 374.7 X 254.0 (14.75 x 10)
 - 7) REMOTE ENCLOSURE: EXM 5412 ESCH8804
 - 8) REMOTE ENCLOSURE DIMENSIONS: 203.2 X 203.2 X 101.6D (8 X 8 X 4D)
 - 9) REMOTE ENCLOSURE MOUNTING DIMENSIONS: 222.3 X 152.4 (8.75 x 6)
 - 10) JUNCTION BOX ENCLOSURE: EXM ESCH040403.
 - 11) JUNCTION BOX ENCLOSURE DIMENSIONS: 101.6 X 101.6 X 76.2D (4 X 4 X 3D)
 - 12) JUNCTION BOX ENCLOSURE MOUNTING DIMENSIONS: 124.46 X 66.9 (4.9 x 2.64)

MAIN PANEL - FRONT VIEW WITH COVER

REV	DATE	DESCRIPTION	CHK'D	APP'D
REVISIONS				
			PROJECT:	
DWG. STATUS DRAWN F.H. 30/04/12 CHECKED APPROVED		TITLE 4100-LEV OVERVIEW DRAWING		
SCALE N.T.S.		REF. DWGS.		DWG. NO. 20120830
				SHT. 1
				REV. 0

**OPTIONAL REMOTE PANEL FRONT VIEW
WITHOUT COVER**



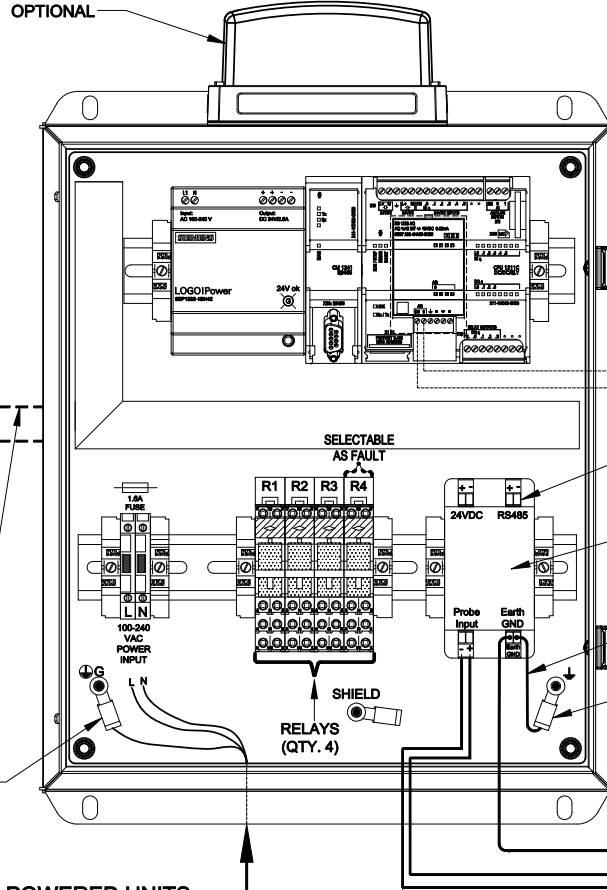
SEE NOTE B
SEE NOTE C

NOTE-B:
Cat 5 Ethernet Cable & Connector

NOTE-C:
4 Conductors (18-20AWG) Cable for
24VDC Power, Strobe & Buzzer

NOTE-A:
1) INPUT VOLTAGE PER ORDER
24VDC OR 100VAC-240VAC, 50/60Hz
2) TERMINALS MARKED (-) (+) ARE FOR DC POWERED UNITS

**MAIN PANEL FRONT VIEW
WITHOUT COVER**

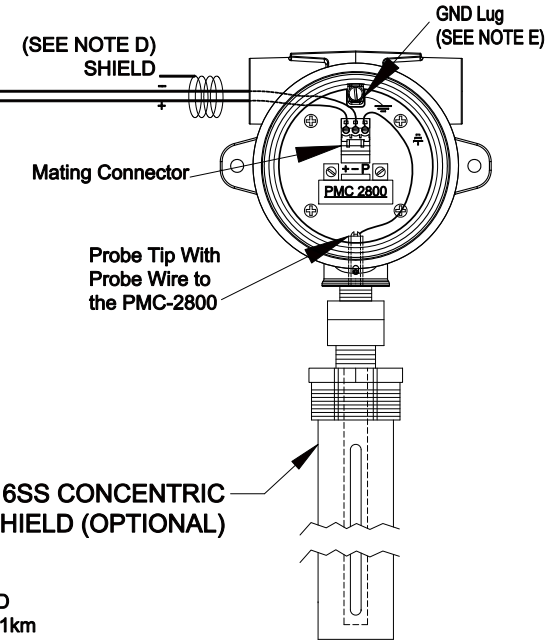


POWER INPUT
(SEE NOTE-A)

NOTE-E:
MAKE SURE CONTROLLER AND JUNCTION BOX ARE ELECTRICAL GROUNDED.

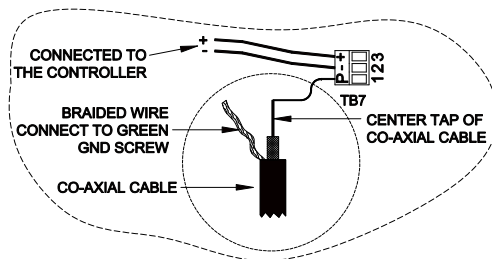
NOTE-D:
SHIELD LEFT UNCONNECTED AND TAPED AT PMC-2800 END.

**LEVEL PROBE JUNCTION
BOX WITHOUT COVER
WITH PMC-2800 CARD**

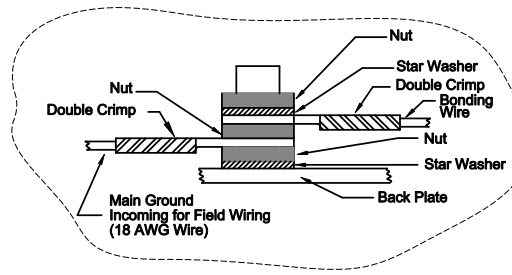


316SS CONCENTRIC
SHIELD (OPTIONAL)

2-WIRE SHIELDED
16-18 AWG MAX. 1km
(SEE NOTE D)



DETAIL A



DETAIL B

REV	DATE	DESCRIPTION	CHK'D	APP'D
REVISIONS				
			PROJECT:	
ARJAY ENGINEERING LIMITED				
DWG. STATUS	BY	DATE	TITLE	
DRAWN	F.H.	30/04/12	4100-LEV ELECTRICAL OVERVIEW DRAWING	
CHECKED				
APPROVED				
SCALE	REF. DWGS.	DWG. NO.	SHT.	REV.
N.T.S.		20120831	1	0