



MODEL 2882-LS

Probe Mounted Level Switch

User Manual

Technical Support
Continental North America Toll Free 1-(800) 387-9487
Ph: +1 (905) 829-2418 Fx: +1 (905) 829-4701



A Product of Arjay Engineering Ltd.
Oakville, Ontario, Canada

www.ArjayEng.com

| | |
|----------------------|-----|
| <i>MODEL:</i> | |
| <i>HARDWARE NO.:</i> | 5.1 |
| <i>SOFTWARE NO.:</i> | |
| <i>SERIAL NO.:</i> | |

TABLE OF CONTENTS

| | | |
|-----|---|----|
| 1.0 | INSTRUMENT OVERVIEW | 3 |
| 1.1 | Features | 3 |
| 1.2 | Model Number vs. Voltage Input..... | 3 |
| 1.3 | Specifications | 4 |
| 2.0 | INSTALLATION..... | 6 |
| 2.1 | Probes | 6 |
| 2.2 | Probe installation..... | 6 |
| 2.3 | Electrical Installation | 8 |
| | 2.3.1 Permanent Power Connection (AC Powered Models only) | 8 |
| | 2.3.2 Input / Output Terminal Specification | 10 |
| 2.4 | Glossary of Symbols | 11 |
| 3.0 | STARTUP AND CALIBRATION..... | 12 |
| 3.1 | Startup..... | 12 |
| 3.2 | Menu Flow Chart Background Information | 12 |
| | 3.2.1 Menu Description..... | 12 |
| | 3.2.2 Menu Description..... | 12 |
| | 3.2.3 Data Entry..... | 13 |
| 3.3 | 2882 Level Switch Calibration..... | 13 |
| | 3.3.1 Site Calibration | 13 |
| 4.0 | SETUP and ALARM..... | 15 |
| 4.1 | 2882 Level Switch Setup | 15 |
| 4.2 | 2882 Level Switch Alarms..... | 15 |
| 4.3 | 2882 Level Switch Network..... | 18 |
| | 4.3.1 Modbus Configuration | 18 |
| | 4.3.2 2800 Series Modbus Register Mapping | 19 |
| 5.0 | MAINTENANCE | 20 |
| 6.0 | TROUBLESHOOTING | 21 |
| 7.0 | FLOW CHARTS | 22 |

TABLE OF FIGURES

| | |
|---|----|
| Figure 1 – Probe Installation | 7 |
| Figure 2 – Typical Installation Overview | 7 |
| Figure 3 – Typical Application | 8 |
| Figure 4 – Electrical Installation Overview | 9 |
| Figure 5 – No Differential Application – High Level | 16 |
| Figure 6 – No Differential Application – Low Level | 16 |
| Figure 7 –Differential Application – Pumping OUT | 17 |
| Figure 8 –Differential Application – Pumping IN | 17 |

1.0 INSTRUMENT OVERVIEW

The Arjay Model 2882-LS Probe Mount Two Point Level Switch provides two independent alarm relays for monitoring and control of liquids or solids in a tank or vessel.

The Arjay probe has an active capacitance probe that is inserted into the vessel. As the material level changes around the probe, the capacitance reading of the probe increases or decreases. The Level Switch relays are calibrated to alarm at user determined levels of product on the probe.

The probe mounted Arjay 2882 Level Switch monitors the capacitance change of the probe and activates the relay contacts for use with alarms, pumps, valves, etc.

The standard probe is constructed of a Teflon coated probe. The transmitter board is mounted in a junction box at the top of the probe.

Probes can be inserted vertically, horizontally, or angled into the tank.

On vertical and angled probes, the two relays can be set at different levels. Each relay also has a differential setpoint to allow the relay to activate at one level and de-activate at a different level. This is similar to a latching format which can cycle a pump or level between two points through the use of only one relay.

On a horizontal insertion, the relays can both be calibrated to the same setpoint.

For single point high or low applications, the unit can be calibrated without having to bring to the product level to the alarm point. For example, in a high alarm application, the Level Switch can be calibrated to air. An alarm will occur when the product approaches the probe.

1.1 Features

- Microprocessor based capacitance Level Switch
- Relay and 4/20mA alarm output
- Modbus protocol via RS-485 for access by Arjay handheld, Central Access Panel or compatible system
- Local Auto calibration or remote calibration via network
- User specified custom features may be added by contacting Arjay Engineering Ltd.

1.2 Model Number vs. Voltage Input

- 2882-LS-1 100-240 VAC power input
- 2882-LS-3 12 VDC power input
- 2882-LS-4 24 VDC power input

1.3 Specifications

| | |
|--------------------------------|---|
| Power Input: | 12 VDC +15% /-10% or 24 VDC +15% /-10%, 250mA maximum 100VAC – 240VAC +/- 10%, 50/60 Hz, 150mA maximum Note: DC input models must be supplied by Limited Energy power source. Limited Energy means compliance with one of the following requirements: <ul style="list-style-type: none"> - Class 2 circuit according to Canadian Electrical Code, Part, I, C22.1; - Class 2 circuit according to National Electrical Code, NFPA-70; - Limited Power Supply (LPS) according to IEC 60950-1; - Limited-energy circuit according to IEC 61010-1. |
| Connections to mains supply | Permanent (for AC/DC model) |
| User Interface: | |
| Display & Keypad | Two line LCD with Alarm status display, select menu or enter values by keypad (display is internal to housing and used for set-up and diagnostics only) |
| Communication Interface: | Modbus (RS485) |
| Analog /Relay Outputs: | |
| mA Signal Output | 4 mA during Normal and 20 mA during an alarm condition, 900 Ohms max OR 450 Ohms max (12VDC Power) *Set for Relay 1 only |
| Relay Output | 2 SPDT relay, dry, N.O. Contact 5A @ 250 VAC (Resistive) and N.C. Contact 3A @ 250VAC (Resistive), selectable failsafe or non-failsafe, selectable high or low acting alarm, programmable time delay: 0 – 600 seconds |
| Instrument Performance: | |
| Measuring Range | 0 - 5000 pF (most applications are 100pF to 1000pF) |
| Accuracy | 0.2% of setpoint |
| Resolution | 0.05% of setpoint via network display 0.002% of Full Scale capacitance via network display |
| Calibration | Single point per relay: Auto calibration |
| Environmental: | |
| Operating conditions | Continuous |
| Operating Temperature | -20 °C to +55 °C Transmitter -60 °C to + 260 °C probe |
| Relative humidity | 0 to 95% (non-condensing) |
| Altitude | ≤2000 m |
| Installation Category | II |
| Pollution Degree | 2 |
| Equipment mobility | Fixed |

| | |
|----------------------------------|---|
| Mechanical Specification: | Refer to Dimensional Drawing |
| Approval Standards: | <ul style="list-style-type: none">• UL / IEC 61010-1, 2nd Edition, 2005-07-22 (Electrical Equipment for Measurement, Control, and Laboratory Use; Part 1: General Requirements)• UL file number: E343390• CAN/CSA-22.2 No. 61010-1, 2nd Edition, 2004-07, (Electrical Equipment for Measurement, Control, and Laboratory Use; Part 1: General Requirements)• CE: UL / IEC 61010-1; IEC / EN 61000-4; ISO 9001:2008 |

2.0 INSTALLATION

NOTE: If any damage to the instrument is found, please notify an Arjay Engineering representative as soon as possible prior to installation.

2.1 Probes

The 2880 Series Level Transmitter consists of the transmitter enclosure fitted with a capacitance probe selected from a variety of styles for use with liquids, liquid interfaces, and granular materials. The probe length is customer specified for the tank and depth of material to be measured. Usually Teflon coated probes are used.

2.2 Probe installation

Standard probe entry into a tank is via a 3/4" NPT opening (standard probes) or 1" NPT opening (heavy duty probes). Flanges and concentric shields are available as options. The entrance configuration may vary depending on the application requirements.

TO SCREW IN THE PROBE (THREADED ENTRY) USE A WRENCH ON THE LOWER FITTING ONLY. The probe fittings are compression type with Teflon ferrules assembled by applying torque between the two hex sections. The fittings are sealed at the factory to provide a compression seal capable of withstanding high pressures. Once opened they cannot be reassembled without new ferrules.

The probe should be mounted vertically and parallel to a reference ground surface, which is typically the vertical wall of the tank or a concentric shield around the probe. The following points are important when installing the probe:

- 1- **Reference ground:** For improved accuracy a ground reference is recommended. This typically a metal tank wall or concentric shield. **IMPORTANT:** For standard threaded entry and flange entry probes (without concentric shields), make sure the fittings are clean to ensure a **GOOD ELECTRICAL CONNECTION BETWEEN THE PROBE HEAD ENCLOSURE AND THE TANK (REFERENCE GND).**
- 2- **The distance between the probe and the ground reference:** This only applies to probes without concentric shields. The closer the distance to the tank wall, the greater the sensitivity of measurement; too close and bridging problems may occur.
- 3- **The measurement accuracy may be affected by the temperature change of the material in the tank.** The amount of measurement error depends on the material. If the temperature change is excessive, temperature correction may be required. Contact the Arjay representative for more information.
- 4- **Agitators or moving objects in the tank:** Moving objects in the tank close to the probe such as agitator blades, moving baffles etc. appear as moving ground references to a capacitance probe and will cause measurement errors. In applications where these objects are present, a concentrically shielded probe should be used.

CAUTION: INSTALL THE PROBE WITH CARE: THE TEFLON SHEATH IS USED TO ELECTRICALLY ISOLATE THE METAL PROBE FROM THE LIQUID. DAMAGE CAUSING LEAKS MAY CAUSE READING ERRORS.

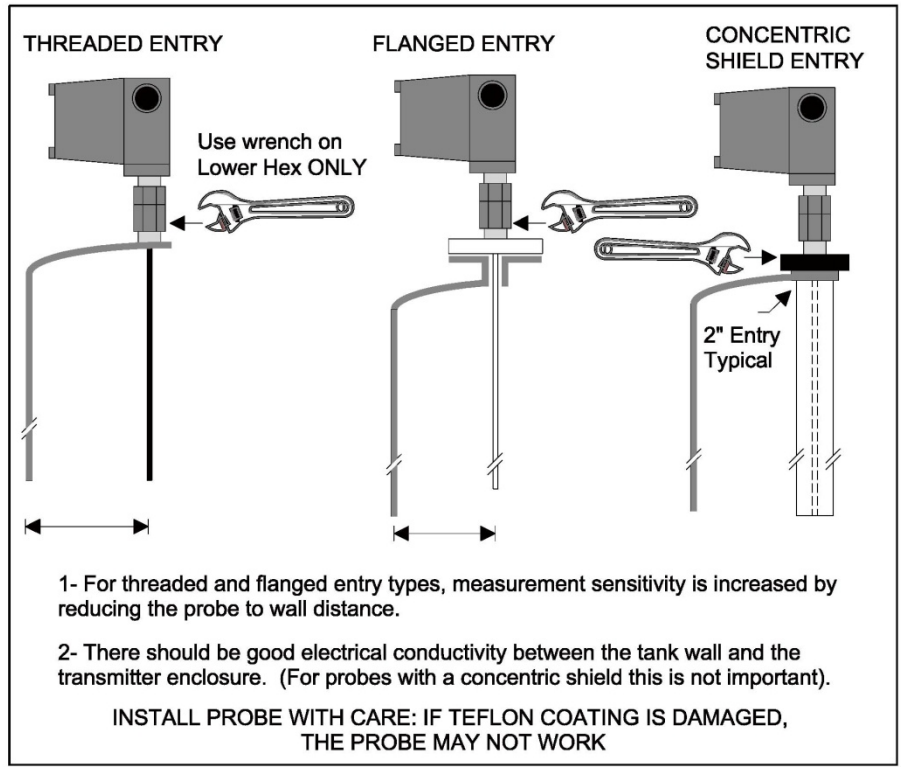


Figure 1 – Probe Installation

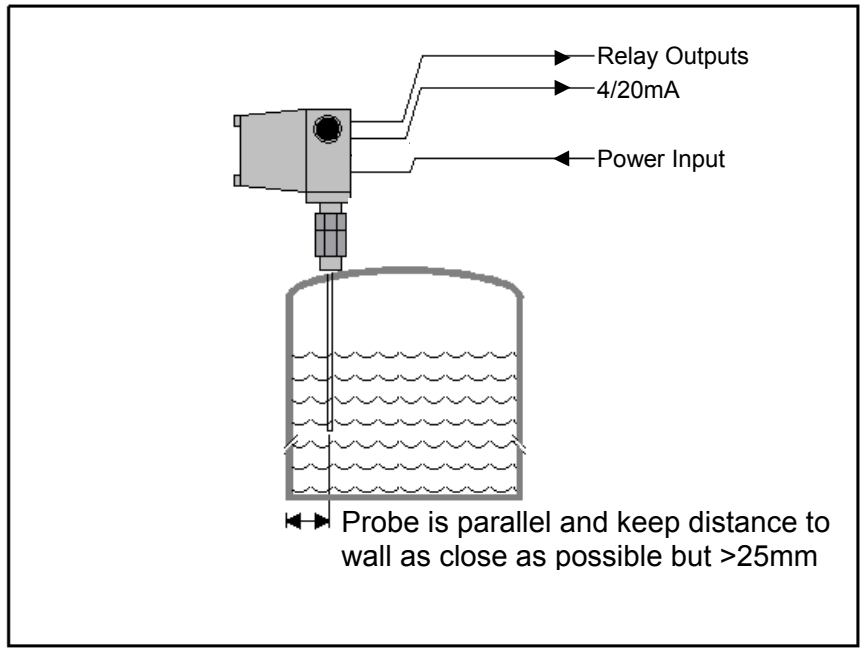


Figure 2 – Typical Installation Overview

NOTE:

If the equipment is used in a manner not specified by the manufacturer, the protection provided by the equipment may be impaired.

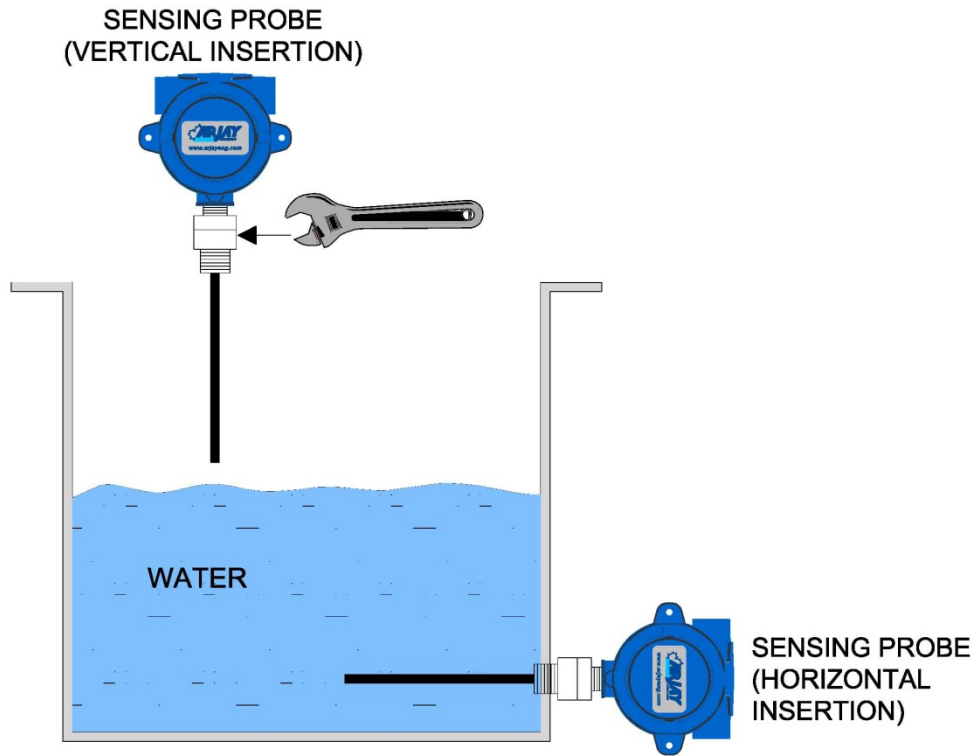


Figure 3 – Typical Application

2.3 Electrical Installation

2.3.1 Permanent Power Connection (AC Powered Models only)

- 1) Connection to the building wiring system shall be in accordance with the Canadian Electrical Code (CEC), Part 1 in Canada, the National Electrical Code, ANSI/NFPA 70 in the USA, or the local electrical codes of the country where the equipment is being installed.
- 2) A disconnecting device is required. The disconnecting means shall disconnect all current-carrying conductors.
- 3) 15A circuit breaker or equivalent fuse is required.
- 4) An external switch or breaker shall be in close proximity to the equipment and within easy reach of the operator. The switch shall be marked as the disconnecting device for the equipment and include the symbols to its “ON” and “OFF” positions using the following symbols:



Power Off



Power On

- 5) The wiring for AC power should be minimum 18 AWG / 300V or as required by local / country codes.
- 6) After field wiring, the primary wires must be secured to the enclosure by tie-wraps to maintain the separation from the signal wires.
- 7) Wiring diagram for permanent connection: See drawings at the back of this manual.
- 8) Use copper conductors only.

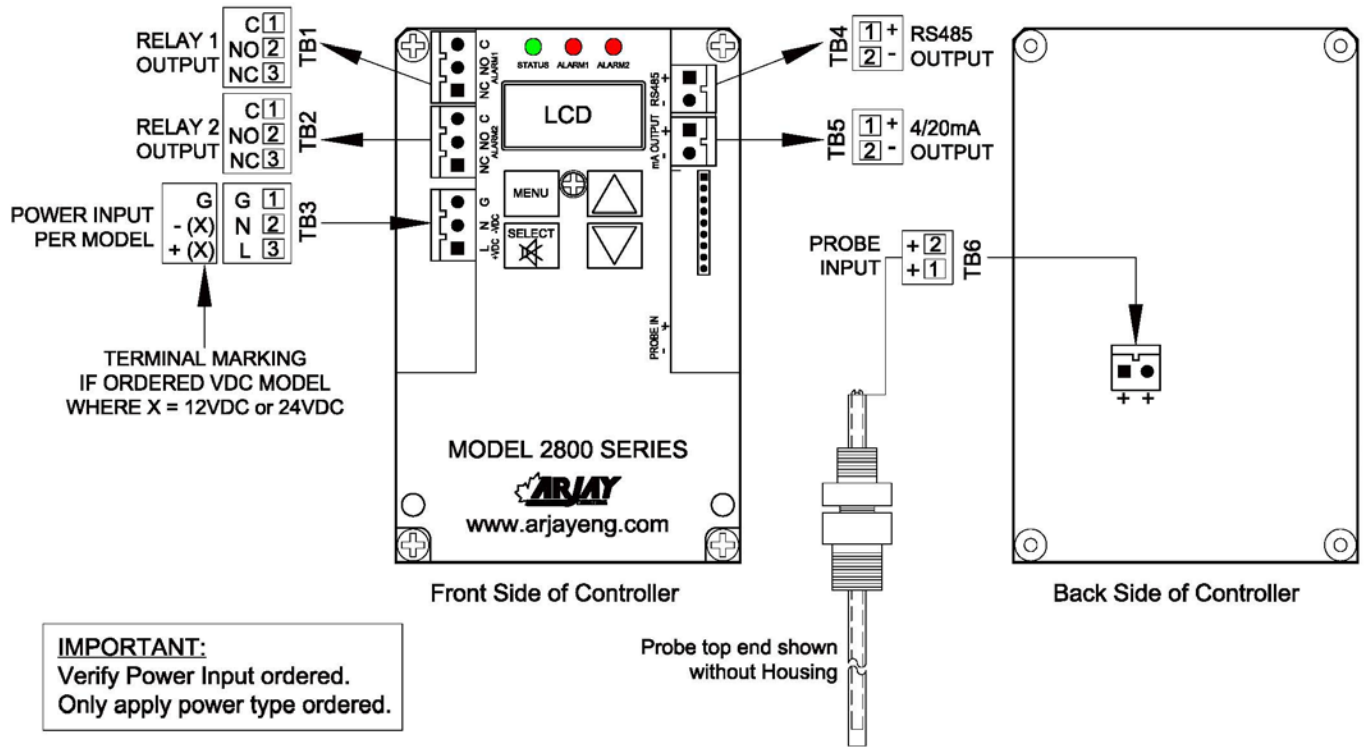


Figure 4 – Electrical Installation Overview

TB1/TB2 - Relay Output

2 SPDT relay, Dry, N.O. Contact 5A @ 250 VAC (Resistive) and N.C. Contact 3A @ 250VAC (Resistive), selectable failsafe or non-failsafe, selectable high or low acting alarm, programmable time delay: 0 – 600 seconds

TB3 - Power Input

Power input as per Model. Check if ordered AC or DC. . Earth ground is connected to G.

TB4 - Network Output

Connect RS485 + and – to the network D+ and D-.

TB5 - 4/20 mA Output (+ and -)

The 4/20 mA is a sourced output referenced to Ground. It is not loop powered.

4mA = Normal 20mA = Alarm

**Set for Relay 1 only

TB6 - Probe Input

Probe input is wired by the factory. The terminal block is disconnected during shipment for static reasons and has to be re-connected during installation. TB6 has two “+” connections. Either is acceptable.

2.3.2 Input / Output Terminal Specification

| Input Terminals – Power Source | | | | | |
|---------------------------------------|-----------------------------|--------------------------|-------------------------------------|---------------------|------------------------------------|
| Terminal ID | Overvoltage category | Rated Voltage (V) | Rated Current/power (A/W/VA) | ___ HZ or DC | Specified Mains fluctuation |
| <i>TB3</i> | <i>II</i> | <i>100-240V</i> | <i>150mA</i> | <i>50/60Hz</i> | <i>± 10%</i> |
| <i>TB3</i> | <i>II</i> | <i>12 OR 24V</i> | <i>250mA</i> | <i>DC</i> | <i>+15%</i> <i>-10%</i> |



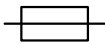
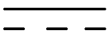
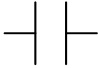

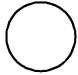
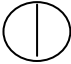
| Input Terminals – Measuring Circuits | | | | | |
|---|----------------------------|-----------------------------|--|------------------------------------|---|
| Terminal ID | Function | Measurement Category | Nominal a.c. or d.c line to neutral voltage / if CAT I, Max. transient overvoltage Ut | Nominal a.c. or d.c current | Rating of insulation required for external circuit |
| <i>TB6</i> | <i>Frequency</i> | <i>I</i> | <i>15V, 50mA / 0</i> | <i>--</i> | <i>DI * or RI**</i> |
| <i>TB4</i> | <i>RS485 Communication</i> | <i>I</i> | <i>5V, 5mA / 0</i> | <i>--</i> | <i>DI * or RI**</i> |

* Double Insulation

**Reinforced Insulation

| Output Terminals | | | | | |
|-------------------------|-----------------|--------------------------------|--|------------------|------------------------------|
| Terminal ID | Function | Isolation or protection | Rated V, A | Max. V, A | Load type and nominal |
| <i>TB1</i> | <i>Load</i> | <i>Relay</i> | <i>N.O. Contact 5A @250VAC & N.C. Contact 3A @250VAC</i> | <i>--</i> | <i>--</i> |
| <i>TB2</i> | <i>Load</i> | <i>Relay</i> | <i>N.O. Contact 5A @250VAC & N.C. Contact 3A @250VAC</i> | <i>--</i> | <i>--</i> |
| <i>TB5</i> | <i>Current</i> | | <i>- 18V, 20mA, 900Ω - 9V, 20mA, 450Ω</i> | <i>50mA @18V</i> | <i>--</i> |

2.4 Glossary of Symbols

| | | | |
|---|---|---|--|
|  | Attention, consult accompanying documents Attention, veuillez consulter les documents ci-joints. | | |
|  | Protective Earth Terre de protection |  | Fuse Coupe-circuit; fusible |
|  | Direct Current (DC) Courant continu |  | Normally open relay contacts Contacts travail |
|  | Normally closed relay contacts Contacts Repos |  | Power off Arrô (mise hors tension) |
|  | Power on Marche (mise sous tension) | L | Live Sous tension |
| N | Neutral Neutre | G | Ground Terre |

3.0 STARTUP AND CALIBRATION

3.1 Startup

Connect the probe terminal block as per Figure 4. Power up the 2882 Level Switch. The status LED on the Level Switch circuit board should be green. A red Status LED indicates a fault condition. If red, check the Troubleshooting section.

The LCD should go to the normal operating display. See section 6.0 Menu Flow Chart

The unit is normally pre-configured and tested at the factory. However, field calibration is required on startup. See section 3.3 <2880 Transmitter Calibration> to calibrate the transmitter .

3.2 Menu Flow Chart Background Information

The control setup, diagnostics, and calibration are accessed using the display and keypad on the Level Switch. The Flow Chart in Section 7.0 provides an overview to the various menus and features. Keep a copy of the flow chart at hand when accessing the internal Level Switch features.

Below is a description of the menu functions.

3.2.1 Menu Description

Since the 2882 Level Switch has a small LCD, some menu descriptions may be in short form. The following are the menu descriptions:

| | | | |
|------------------|---------------------------|------------------|--|
| <i>Diags:</i> | <i>Diagnostics</i> | <i>SENSTVTY:</i> | <i>Sensitivity</i> |
| <i>Cal Pts:</i> | <i>Calibration points</i> | <i>A1:</i> | <i>Alarm relay 1</i> |
| <i>Auto Cal:</i> | <i>Auto calibrate</i> | <i>A2:</i> | <i>Alarm relay 2</i> |
| <i>Man Cal:</i> | <i>Manual calibrate</i> | <i>Alrm:</i> | <i>Alarm</i> |
| <i>Cal Ok:</i> | <i>Calibrate ok</i> | <i>Alrm Lvl:</i> | <i>Alarm level</i> |
| <i>Cal Err:</i> | <i>Calibrate err</i> | <i>Diff Hi:</i> | <i>Differential Hi alarm set value</i> |
| <i>mA out:</i> | <i>mA output</i> | <i>Diff Lo:</i> | <i>Differential Lo alarm set value</i> |
| <i>mA Span:</i> | <i>mA output span</i> | <i>Alrm Del:</i> | <i>Alarm Delay</i> |
| <i>Sec:</i> | <i>Seconds</i> | <i>^SP:</i> | <i>Relay Setpoint Hi action</i> |
| <i>ALRM CAL:</i> | <i>Alarm Calibration</i> | <i>vSP:</i> | <i>Relay Setpoint Low action</i> |
| <i>Cal:</i> | <i>Calibration point</i> | | |

3.2.2 Menu Description

The 2882 Level Swtich has a password protect feature. The default password is 2000.

The 2882 Level Switch will display **Normal** in its normal operating condition and **A1 or A2** for an Alarm condition of Relay 1 or Relay 2.

From the main menu, you can select **Cal Only, View, and Change**.

Cal Only allows a user to calibrate after the equipment is installed. The calibration is required at site after power up or anytime a component or sensor is changed out. A password is required to enter this and is described in the calibration section.

View allows an operator to view the **Calibration** setpoints in pF, the **Alarms** settings such as low or high action, failsafe or non-failsafe and the 0-600 second delay, the **Diagnostics** of raw readings and the **Setup** values such as mA output and ID address. This can be viewed without a password and without risk of changing any values. This information may be requested during technical assistance inquiries.

Change is password protected and allows an operator to enter or change the configuration set-up values indicated in the View. Changes will be required for the initial setup of relay setpoints, delays, span etc. or to re-set the values to the factory default.

3.2.3 Data Entry

Data Entry

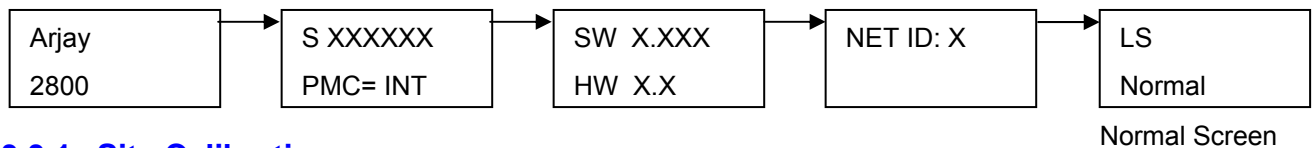
Press <▲> / <▼> key to increase / decrease the digital value.

Press <SELECT> key to move the cursor.

Press <MENU> key to abort certain screens

3.3 2882 Level Switch Calibration

Power up the 2882 Level Switch. The status LED should be green. The LCD will scroll to the normal operating screen (See section 7.0 Menu Flow Chart) after a series of the following screens (each display for 2 sec.). It may read **Normal** or **A1 A2** until a calibration is performed.



3.3.1 Site Calibration

For a single point high or low alarm, the product level may not need to be changed.

For a high alarm application, a *vertical or horizontal* probe can be in air and well above the product. The probe is calibrated to air and as the level reaches the probe, it will alarm.

For a low alarm application, a *horizontal* probe can be fully submerged in product during calibration. The probe is calibrated to the product and as the level reaches below the probe, it will alarm.

However, on vertical probes, if the alarm setpoint is desired at a specific point along the length the probe, or if the differential control is being used, a product level change during calibration will be required.

The following are the basic steps for setting up two alarm points each with a HI/LO differential. Refer to the Flow Chart for a detailed set-up and calibration.

Check that the product is at the desired level for calibration.

Press and hold Menu key for 5 seconds to enter the main menu. The display will read the first menu item **Cal only**. Press select key, enter password "2000".

The display will read **Select Cal A1**. Press Select to calibrate the first setpoint of Relay 1. This can be either the HI or LOW point of the differential.

This display will read **A1 PT 1** with a pF reading of the probe displayed. Press select to acknowledge and then press select to confirm the new calibration.

The display will read **A1 PT 2** with a pF reading. This is the second point for Relay 1. For a single point alarm without differential this will be the same point. Press select to accept this second point. If differential control on the relay is required, change the product level to the new setpoint level and press Select.

The menu will now guide you through setting up the second relay (A2) setpoints.

When complete, Select **EXIT**.

This will get you back to the main menu of "CAL ONLY". Press arrow down until you get to "EXIT" in order to get back to main screen OR go to "Change" if different relay configurations are required.

**THIS COMPLETES THE SETUP AND CALIBRATION PROCEDURE FOR THE
2882-LS Probe Mounted Level Switch**

4.0 SETUP AND ALARM

4.1 2882 Level Switch Setup

The 2882 Level Switch has the following Setup parameters:

1. Sensitivity

The sensitivity determines the amount of pF change required to cause an alarm. The factory default setting is 1.0 pF. The most sensitive setting is 0.1 pF. Increasing the pF value will increase the amount of liquid required to cause an alarm. Since different liquids have different dielectrics pF to mm of liquid level relationship cannot be factory determined. If this is changed in the field, it should be tested to confirm an alarm.

2. Alarm Calibration above or below setpoint

This setting advises the Level Switch if the calibration setpoint is above or below the alarm condition. For high alarm applications, the alarm condition is above calibration setpoint. This indicates that the pF value must increase above the setpoint to activate the alarm. For low alarm applications, the alarm condition is below the calibration setpoint. This indicates that the pF value must decrease below the setpoint to activate the alarm. The factory default is Alarm = ^SP

3. Defaults

Factory settings are pre-configured into the unit based on the most typical set-up required for this application. This provides for a quick and easy calibration at site but can be changed for special applications. If the setup has been changed, this will change back to the factory defaults.

4. Net ID

The ID number is used only for network applications. To communicate on a network, each Level Switch must have a unique ID number. The factory default ID number is 1. Important: If multiple units on a network have the same address, network errors will result.

5. Filter

Data filtering is used to smooth data from a sudden change and minimize fluctuating readings. For example, a 5 second setting means the calculated value of the capacitance and resulting values of pF will start to respond immediately but will take 5 seconds to reach their final values. The factory default is 0 to provide an immediate and active response.

4.2 2882 Level Switch Alarms

The two relays on the 2882-LS operate independently. They are named A1 and A2. The follow parameters are available to set up each of the relays.

1. Delay. Minimum time in seconds for an alarm to exist before the relays change to an alarm state. The relay alarm state depends on the Relay Action and Failsafe settings. The factory setting is 0 seconds.
2. Action. This determines if the Alarms LEDs should activate when the pF reading rises above or below the setpoint. The factory default is above the setpoint because the application of air to liquid is an increase in capacitance.
3. Failsafe. Failsafe typically means that the relay is held in an energized state when in a normal operating condition as opposed to an alarm condition. In an alarm condition, the relay de-energizes which is identical to when the instrument power is shut off. The rationale is that the alarm condition should match the Power Fail condition. The factory default is Yes for Failsafe.

Sample Of Single Point Alarms (No Differential) Applications

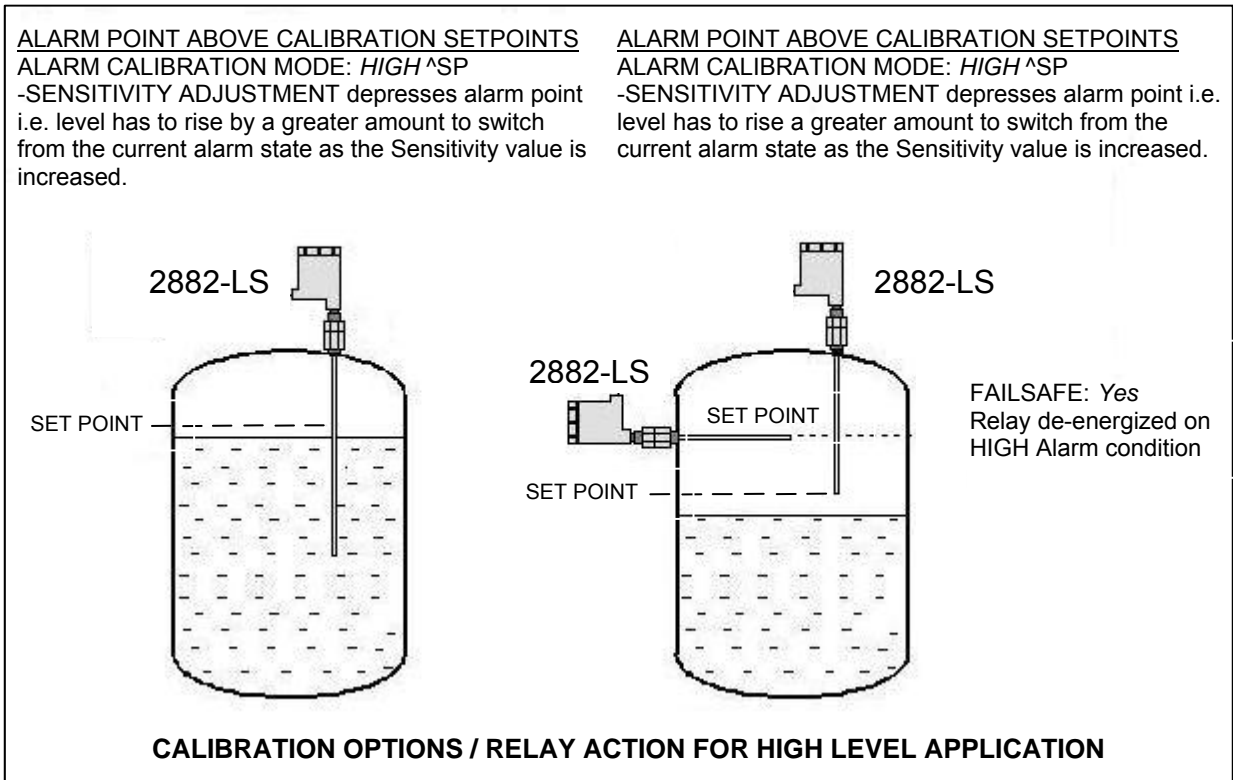


Figure 5 – No Differential Application – High Level

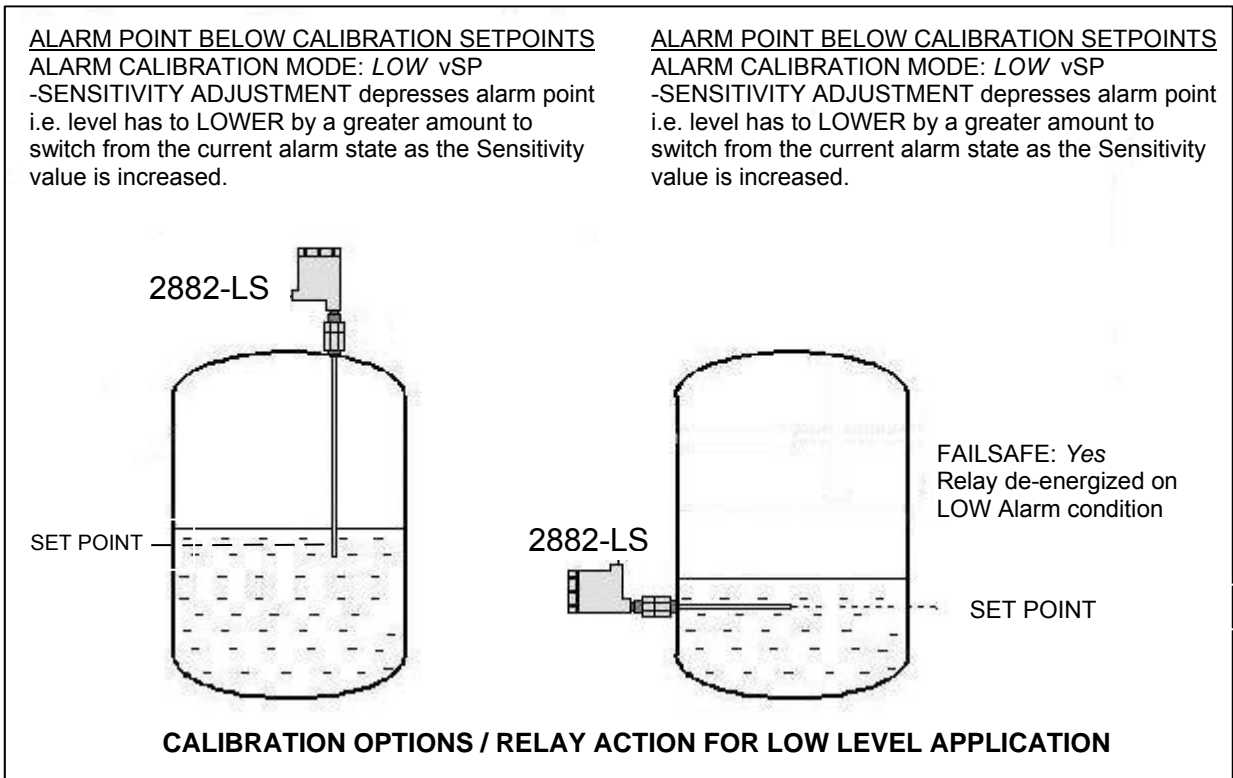


Figure 6 – No Differential Application – Low Level

Sample Of Differential Applications

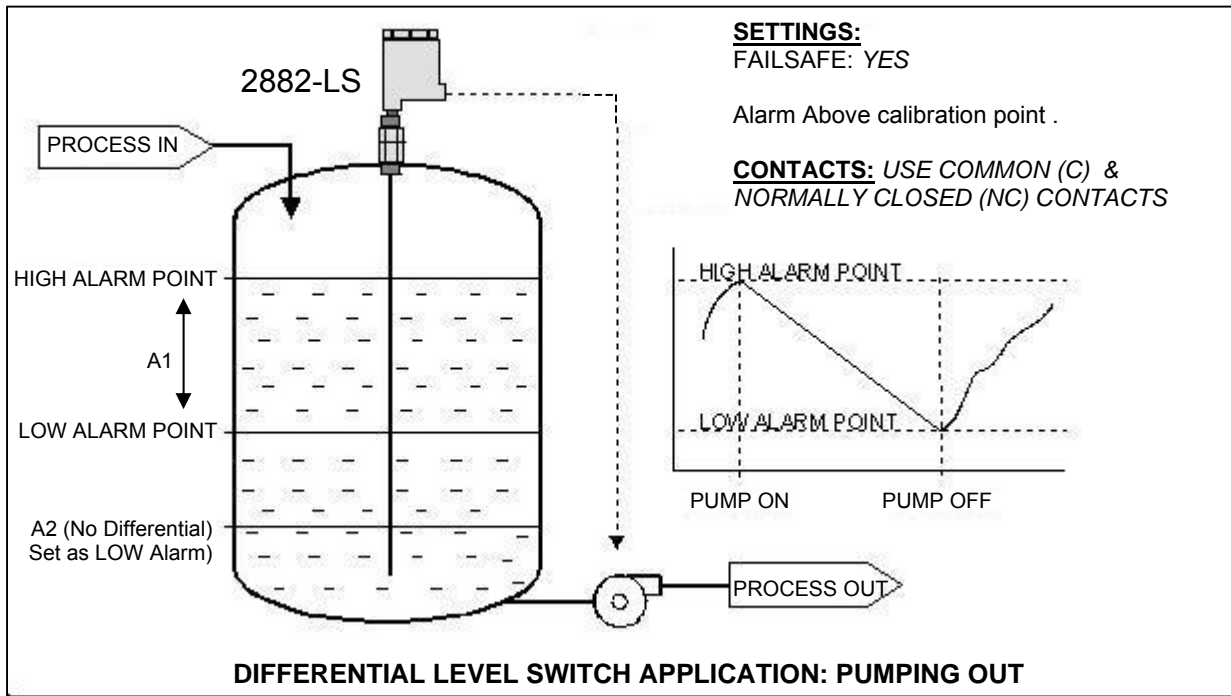


Figure 7 –Differential Application – Pumping OUT

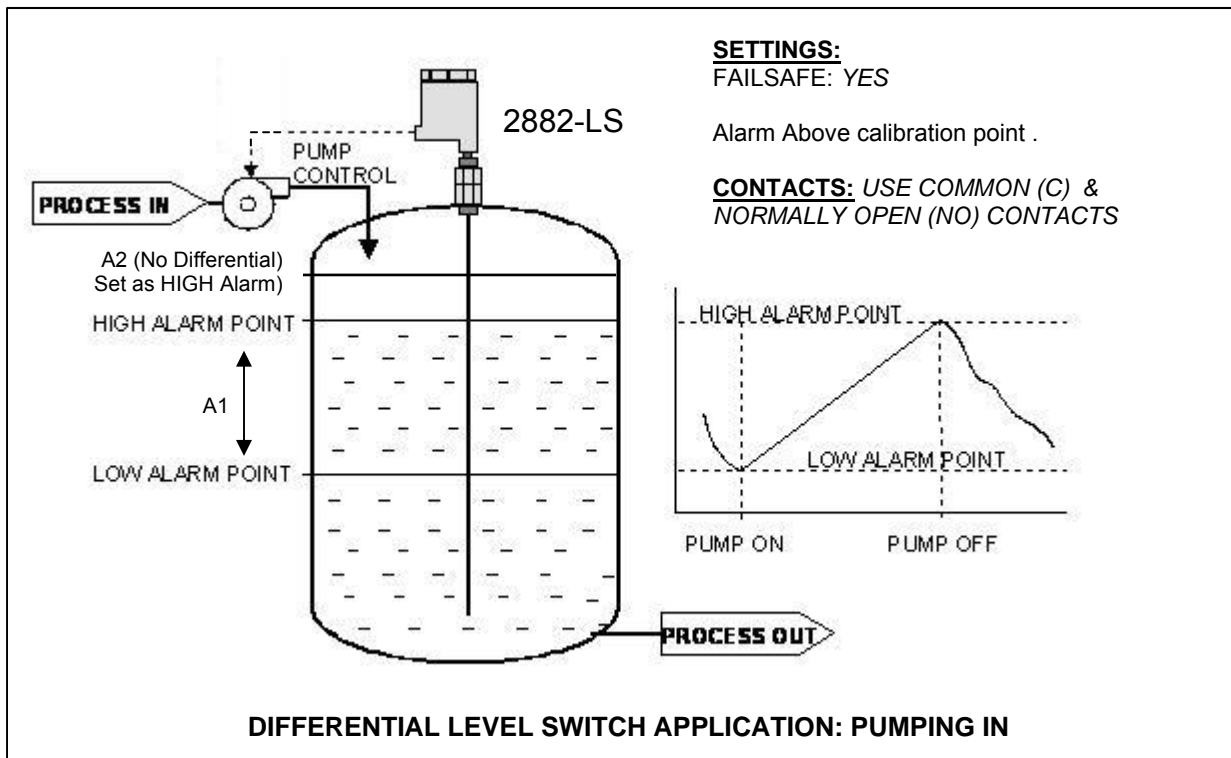


Figure 8 –Differential Application – Pumping IN

4.3 2882 Level Switch Network

The 2882 Level Switch may be monitored and calibrated via RS-485 protocol compatible digital communications.

Typical features are:

1. Ease of wiring in multiple level point monitoring:

Up to 255 Model 2882's (or other Arjay 2800 Series level monitors) may be connected together in a daisy chain (2 wire communication plus power wiring) connection to an Arjay Remote Access monitor or customer control system which allows viewing data and setup of any of the transmitters on the network. The relay and analog outputs may still be used if necessary.

2. Setup for the 2882 for network operation:

Each 2882 transmitter must have a unique ID number to connect in a network system.

4.3.1 Modbus Configuration

Parameter settings: 9600 Baud Rate; Even Parity, 8 Data Bits and 1 Stop Bit.

Wiring connection: RS485 (+) connect to D+; RS485 (-) connect to D-.

4.3.2 2800 Series Modbus Register Mapping

| REG | Zero Based | DESCRIPTION | TYPE | No. of Reg |
|-------|------------|---|-------|------------|
| 40001 | 0 | Serial Number | float | 2 |
| 40003 | 2 | Hardware Rev / Software Rev | byte | 1 |
| 40004 | 3 | Sensitivity / Mode | byte | 1 |
| 40005 | 4 | Instrument Status | int | 1 |
| 40006 | 5 | Model / Modbus Address | byte | 1 |
| 40007 | 6 | Relay2 Setup / Relay 1 Setup | byte | 1 |
| 40008 | 7 | Password | int | 1 |
| 40009 | 8 | XA "A" cal parameter | float | 2 |
| 40011 | 10 | XK "K" cal parameter | float | 2 |
| 40013 | 12 | XC "C" cal parameter | float | 2 |
| 40015 | 14 | Filter | float | 2 |
| 40017 | 16 | Slope – pF per % level | float | 2 |
| 40019 | 18 | Offset – pF for empty vessel | float | 2 |
| 40021 | 20 | mA output span value | float | 2 |
| 40023 | 22 | mA output Zero value | float | 2 |
| 40025 | 24 | mA output Trim Slope value | float | 2 |
| 40027 | 26 | mA output Trim Offset vlaue | float | 2 |
| 40029 | 28 | Cal1 PV: 1st calibration point level value in % | float | 2 |
| 40031 | 30 | Cal2 PV: 2nd calibration point level value in % | float | 2 |
| 40033 | 32 | Cal1 pF: 1st calibration point capacitance value in pF | float | 2 |
| 40035 | 34 | Cal2 pF: 2nd calibration point capacitance value in pF | float | 2 |
| 40037 | 36 | Relay 1 : Differential High Alarm [% Level]. Only used for Linear Level type. Not used for Single Point Alarm application | float | 2 |
| 40039 | 38 | Relay 2: Differential High Alarm [% Level]. Only used for Linear Level type. Not used for Single Point Alarm application | float | 2 |
| 40041 | 40 | Relay 1: Differential Low Alarm [% Level] OR Single Point Alarm [pF]. Single Point Cal: used as captured pF during cal | float | 2 |
| 40043 | 42 | Relay 2: Differential Low Alarm [%Level]. Only used for Linear Level type. Not used for Single Point Alarm application | float | 2 |
| 40045 | 44 | Relay 1 On delay [in seconds]. Only used for Linear Level or Single Point Alarm application | int | 1 |
| 40046 | 45 | Relay 2 On delay [in seconds]. Only used for Linear Level type. Not used for Single Point Alarm application | int | 1 |
| 40047 | 46 | mA Analog Output | float | 2 |
| 40049 | 48 | Oscillation Frequency | float | 2 |
| 40051 | 50 | Frequency | float | 2 |
| 40053 | 52 | Capacitance | float | 2 |
| 40055 | 54 | Filtered Capacitance | float | 2 |
| 40057 | 56 | Level | float | 2 |

5.0 MAINTENANCE

There is no routine cleaning required for this Level Switch Monitor.

6.0 TROUBLESHOOTING

| CONDITION | DO THIS |
|---|---|
| 1. Status LED is OFF and the LCD display is off | Check the power to the unit. If the unit is a 12VDC or 24VDC model, check the external source and polarity is correct. If the unit is a 100-240VAC model, then check the Line, Neutral and Ground wiring is correct. |
| 2. If the status LED is RED | <p>This indicates a major error such as memory failure, no probe signal etc. Check the following:</p> <ul style="list-style-type: none"> • Make sure the probe wiring is correct and plugged into Level Switch. • Microprocessor may have lost its parameters due to a surge in the line. Go to Diagnostic Menu (see 6.0 Menu Flow Chart) to check the Calibration values, frequency and capacitance values Call Arjay Technical Support. |
| 3. No mA output OR incorrect mA output. | <p>First determine if the problem is in the mA output or if the unit is not calibrated to the vessel.</p> <ul style="list-style-type: none"> • Check the calibration values, go to View Menu (see Section 7.0 Flow chart) and read the 2 calibration points values. If the calibration values are not correct, redo calibration (see section 3.3 2880 Level Switch Calibration) If the calibration values are correct, go to next step to check mA output. • Check the mA output Action (direct or inverse) and mA output Span are set as desired. See section 7.0 Flow chart / Change menu. • If the mA output still does not match the level, then call Arjay Technical Support. <p>IMPORTANT: THE UNIT <u>SOURCES</u> mA OUT FROM THE mA OUTPUT TERMINAL. <u>THIS TERMINAL SHOULD NOT BE CONNECTED TO +24V</u>. IT IS NOT A 2 WIRE mA TRANSMITTER. See Figure 4 for electrical hookup details.</p> |
| 4. False Alarms | <ul style="list-style-type: none"> • Add some time delay in the unit • Make sure there is no external interference and electrical noise such as agitators, high voltage interference, turbulent flow, etc • Adjust the sensitivity to the next higher value. Test after any changes to confirm an alarm |

ARJAY ENGINEERING TECHNICAL SUPPORT

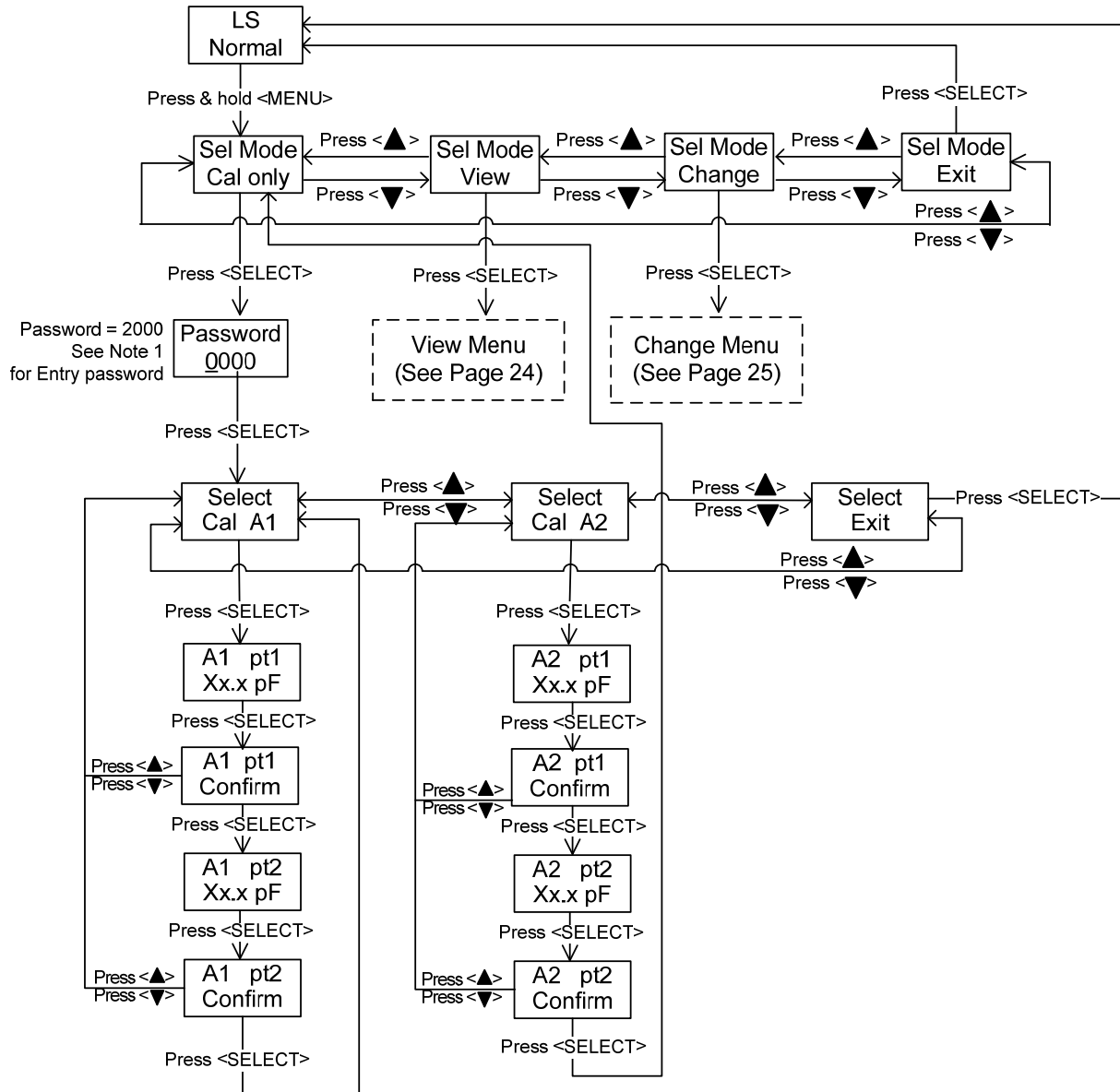
(800) 387-9487

+1 (905) 829-2418

www.arjayeng.com

7.0 FLOW CHARTS

NORMAL OPERATING DISPLAY



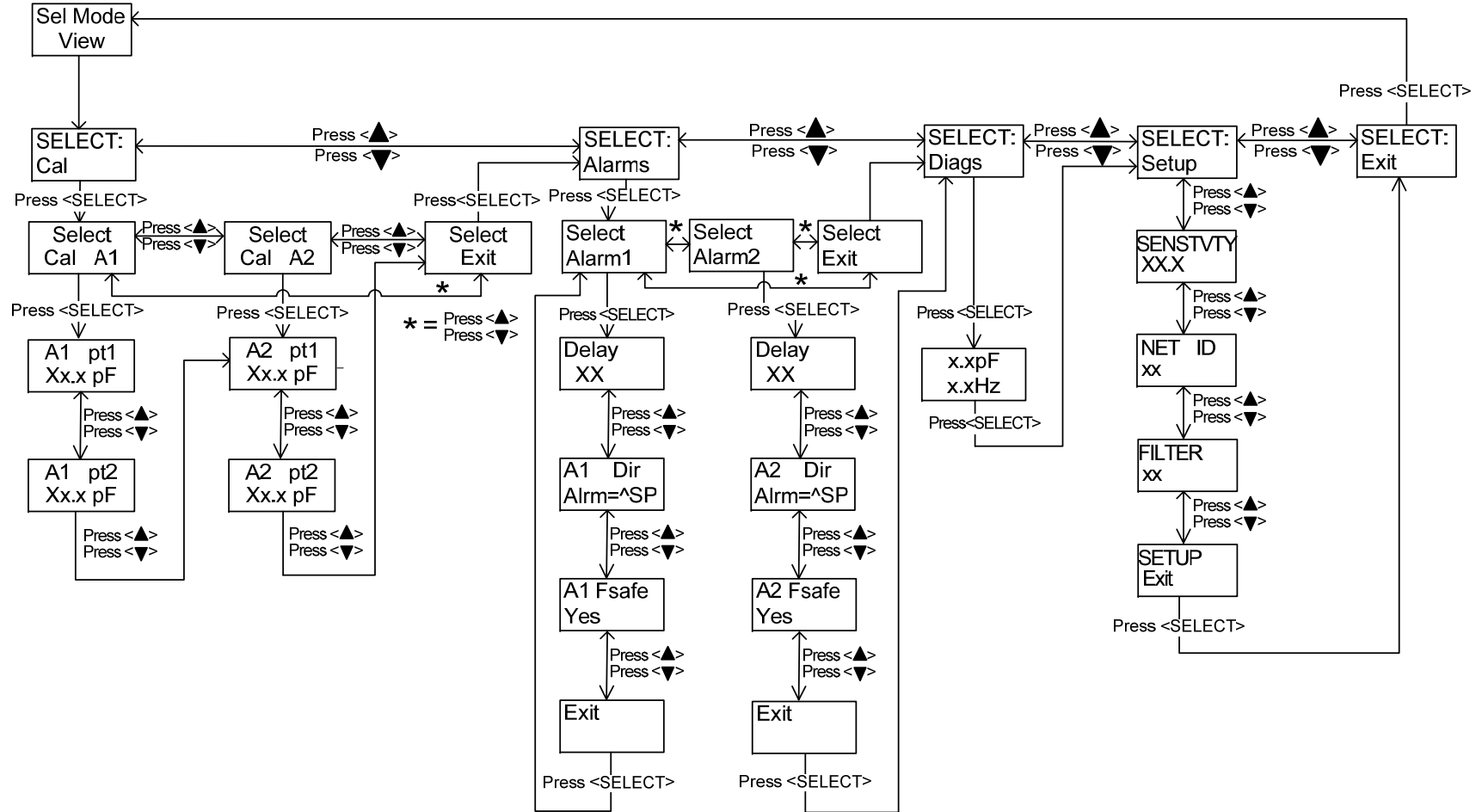
Note 1: Data Entry

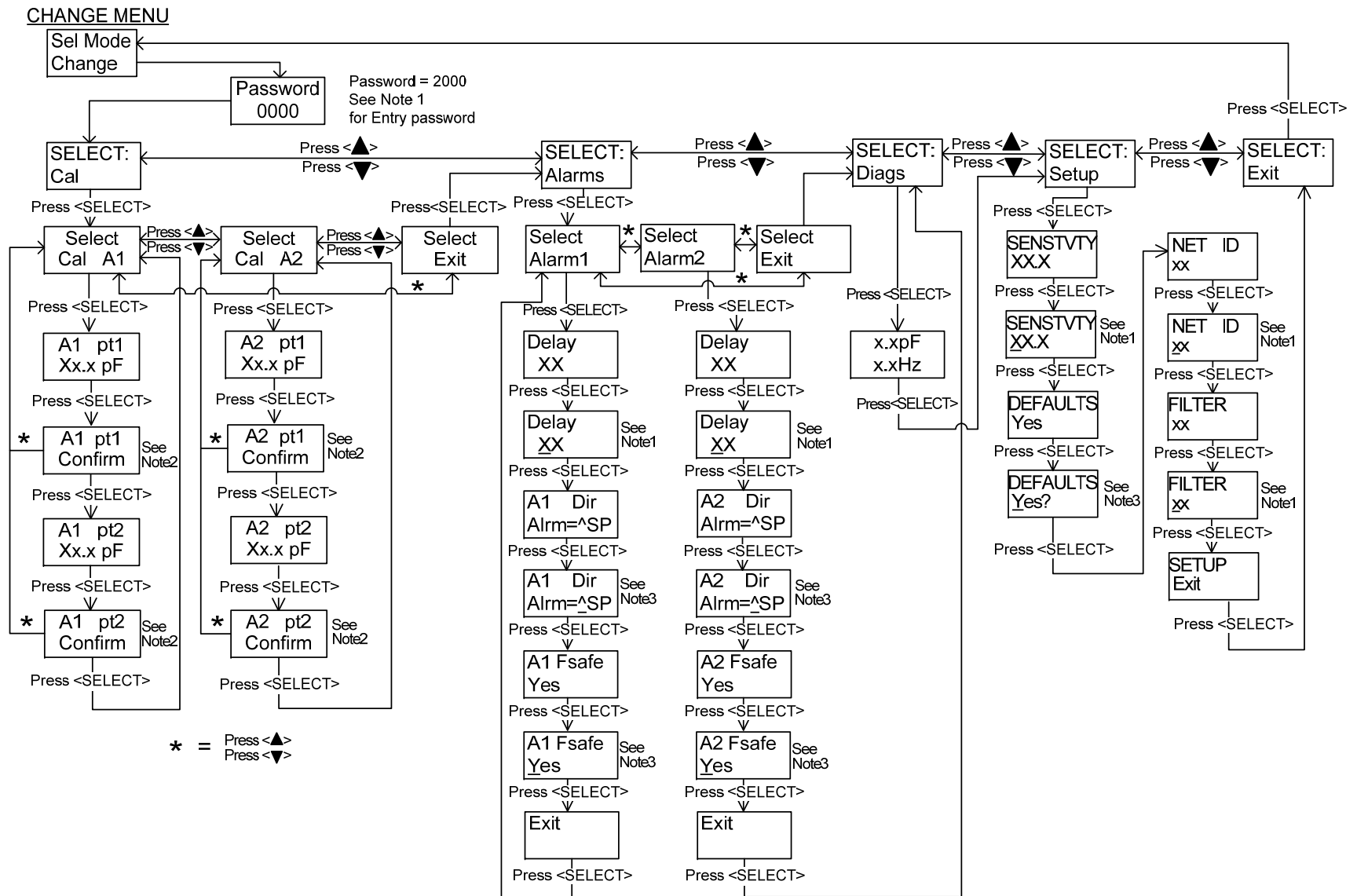
_: Flash cursor indicates to entry the value
 Press <▲> / <▼> key to increase / decrease the digital value.
 Press <SELECT> key to move the cursor.

Note 2: Calibration Confirm

Press <Select> to accept the calibration value.
 Press <▲> / <▼> key to discard the calibration value.

VIEW MENU





Note 1: Data Entry

: Flash cursor indicates to entry the value
 Press <▲> / <▼> key to increase / decrease the digital value.
 Press <SELECT> key to move the cursor.

Note 2: Calibration Confirm

Press <Select> to accept the calibration value.
 Press <▲> / <▼> key to discard the calibration value.

Note 3: Value Selection

: Flash cursor indicates to select the value
 Press <▲> / <▼> key to select the desired value.