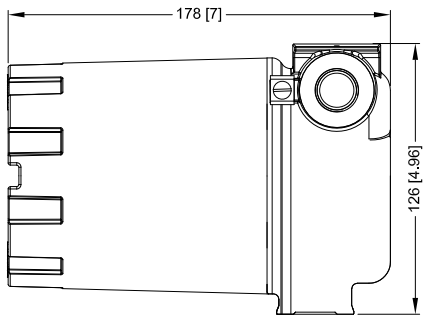
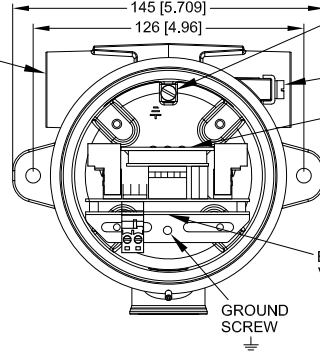


PROBE HOUSING WITH LID



PROBE HOUSING WITHOUT LID



INTERNAL (PRIMARY) GROUND ⚡ SCREW PROVIDED IN THIS ENCLOSURE MUST BE USED FOR THE EQUIPMENT GROUNDING CONNECTION

EXTERNAL GROUND ⚡ SCREW IS PROVIDED FOR USE ONLY AS A SUPPLEMENTAL CONNECTION WHERE REQUIRED (OR, PERMITTED) BY LOCAL CODES OR AUTHORITIES

2880R & 2882R SERIES WORK SHEET

28	Arjay 2800 Series Capacitance Level Transmitter
80R	Non-Isolated 4-20mA, Remote Mount
82R	Non-Isolated 4-20mA With Relays, Remote Mount
LT	Level Transmitter with proportional mA Output
OWI	Oil/Water Interface
CAP	Capacitance Monitor
FCM	Form Control Monitor
LS	Level Switch with Latched mA Output
OWS	Oil Water Separator (Sump) Alarm
IFA	Interface Alarm
FCS	Form Control Switch
ILA	Interstitial Leak Alarm
1	100-240VAC, 50/60Hz
2	N/A
3	12VDC
4	24VDC
0	Explosion Proof Without Window, North America Certificate
1	Explosion Proof Without Window, ATEX, IECEx Certificate
2	Explosion Proof With Window, ATEX, IECEx Certificate

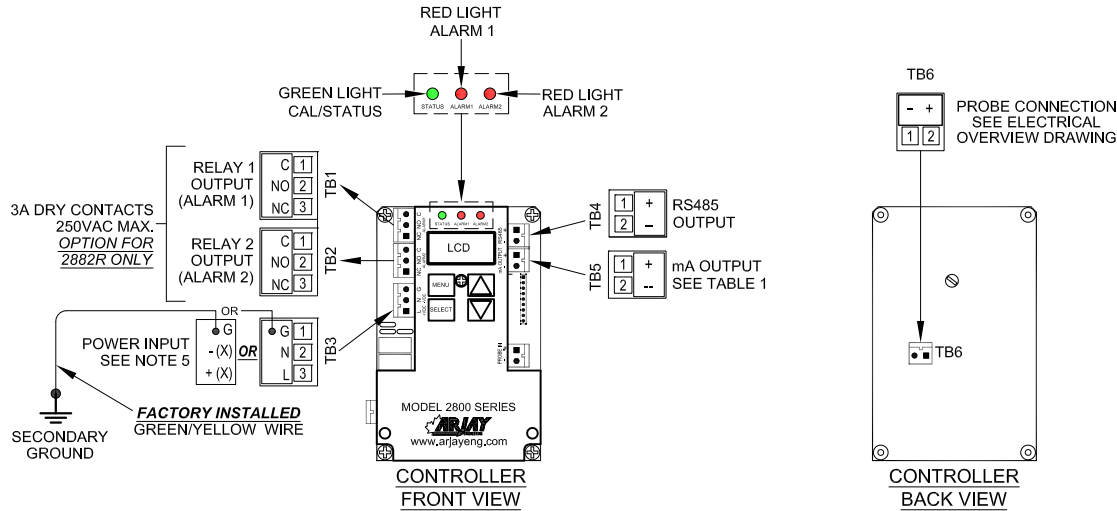


TABLE 1: mA Outputs

mA Outputs	Models Available
4/20mA OUTPUT Where: 4mA = Normal AND 20mA = Alarm BASED ON ALARM 1	2882R-OWS, 2882R-LS, 2882R-FCS
4-20mA OUTPUT or 0-20mA OUTPUT	2880R-OWI, 2882R-OWI, 2880R-LT, 2882R-LT, 2880R-FCM, 2882R-FCM

GENERAL NOTES:

- DIMENSIONS ARE IN mm [inches].
- TOLERANCE +1mm (0.04 inches).
- PROBE HOUSING FOR INTERNATIONAL / ORDINARY LOCATION AS SHOWN ABOVE:
 - MATERIAL: TYPE 4X DIE-CAST ALUMINIUM JUNCTION, PAINTED RAL 5015 SKY BLUE.
 - MODEL: LIMATHERM "XD-IH".
 - OVERALL OUTSIDE DIMENSIONS: 145 X 126 X 178 (H) (5.71 X 4.96 X 7.01(H)).
- PROBE HOUSING FOR NORTH AMERICA LOCATION:
 - MATERIAL: TYPE 4X DIE-CAST ALUMINIUM JUNCTION, SILVER POWDER EPOXY PAINT.
 - MODEL: HUBBELL/KILLARK "HK" SERIES.
 - OVERALL OUTSIDE DIMENSIONS: 156 X 133 X 151(H) (6.125 X 5.234 X 5.938(H)).
- POWER INPUT:
 - VOLTAGE AS PER ORDER
 - 12VDC or 24VDC or 100-240VAC, 50/60Hz.
 - TERMINALS MARKED (-) (+) ARE FOR DC POWERED UNITS.

CERTIFICATION:

PROCESS TEMPERATURE FOR THE STANDARD & HEAVY DUTY PROBES ARE -60°C to +200°C AND FOR FLEXIBLE PROBE IS -60°C to +100°C. IT IS END-USER'S RESPONSIBILITY TO ENSURE THAT AMBIENT TEMPERATURE AROUND THE CAPACITANCE CONTROLLER AND ARJAY PROBE HEAD DOES NOT EXCEED THE PERMITTED AMBIENT OF 55°C.

ORDINARY LOCATION RATING:
 - CSA-C22.2 NO. 61010-1 (2008), 2nd Ed.
 - ANSI/UL 61010-1, 2nd Ed.
 - CE
 - IEC 61010, 2nd Ed.

HAZARDOUS LOCATION RATING FOR NORTH AMERICA:
 - Ex db IIC T5 Gb
 - Class I, Zone 1, AEx db IIC T5 Gb

HAZARDOUS LOCATION RATING FOR INTERNATIONAL:
 - Ex d IIC T5 Gb
 - Ta: -20°C to +55°C

REV	DATE	DESCRIPTION	CHKD	APPD
REVISIONS				
			PROJECT	
DWG. STATUS	BY	DATE	TITLE	
DRAWN	F.H.	02/01/17	2880/2882R SERIES REMOTE MOUNTED CONTROLLER DIMENSION & OVERVIEW DRAWING	
CHECKED				
APPROVED				
SCALE	REF. DWGS.	DWG. NO.	SHT.	REV.
N.T.S.		20170840	1	0