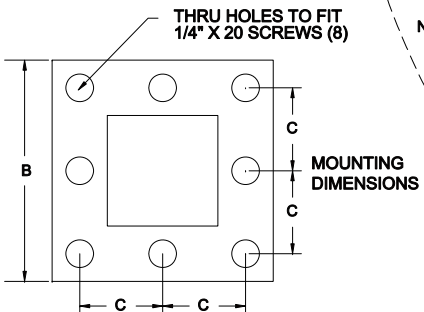
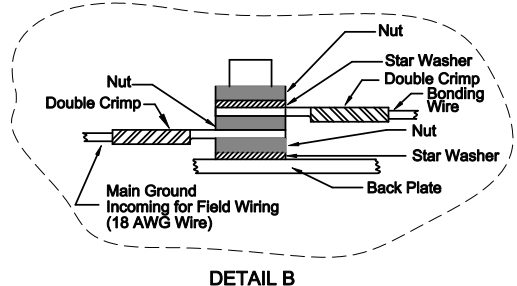


| SELECTION GUIDE | | | | |
|------------------------------|---|------|------|---|
| DIMENSION | STANDARD MODELS | | | CUSTOM |
| | Dimensions A,B,C are fixed Customer selects Chute Thickness (D) | | | |
| ALL DIMENSIONS ARE IN INCHES | F-4 | F-6 | F-8 | Customer selects ALL dimensions (A,B,C,D) |
| CHUTE CUTOUT (A) | 4 | 6 | 8 | |
| OVERALL SIZE (B) | 5 | 7 | 9 | |
| MOUNTING HOLES (C) | 2.25 | 3.25 | 4.25 | |
| CHUTE THICKNESS (D) | MUST BE SPECIFIED AT ORDER | | | |

HOUSING RATING: (GEC1BT-1)
 CAST ALUMINUM JUNCTION HEAD (NEMA 4)
 CLASS I GROUP C,D
 CLASS II GROUP E,F,G
 CLASS III

NOTE-A:
 1) INPUT VOLTAGE PER ORDER:
 12VDC OR 24VDC OR 100VAC-240VAC, 50/60Hz
 2) TERMINALS MARKED (-) (+) ARE FOR DC POWERED UNITS.



- NOTES:**
- 1) DIMENSIONS ARE IN mm [inches]
 - 2) POLYESTER POWDER BLUE (RAL5015) PAINT.
 - 3) ENCLOSURE IS A EXM ESCH080804
 - 4) ENCLOSURE DIMENSIONS ARE 203.2 X 203.2 X 101.6D (8 X 8 X 4D)
 - 5) ENCLOSURE MOUNTING DIMENSIONS ARE 222.25 X 152.4 (8.75 x 6)
 - 6) MAKE SURE JUNCTION BOX IS ELECTRICAL GROUNDED VIA TANK (IF GROUNDED OR SEPARATE GND WIRE).
 - 7) TYPE 4X POLYCARBONATE ENCLOSURE (OPTIONAL) - MOUNTING FEET DIMENSION 222.25 x 101.6 (8.75 x 4)

| REV | DATE | DESCRIPTION | CHK'D | APP'D |
|-----|----------|--|-------|-------|
| 2 | 09/04/12 | REVISED NOTE: -TAGGED TO ALARM 2 SETTING | | |
| 1 | 21/03/12 | REMOVED SLOW BLOW FUSE. | | |

| PROJECT: | |
|------------------------|--|
| PLUGGED CHUTE DETECTOR | |

| | | | |
|----------------------------------|------------|------------------------|-----------|
| ARJAY ENGINEERING LIMITED | | PROJECT: | |
| 2852-PCD | | PLUGGED CHUTE DETECTOR | |
| DIMENSIONAL & ELECTRICAL | | DRAWING | |
| DWG. STATUS | BY | DATE | TITLE |
| DRAWN | F.H. | 03/11/10 | 2852-PCD |
| CHECKED | | | |
| APPROVED | | | |
| SCALE | REF. DWGS. | DWG. NO. | SHT. REV. |
| N.T.S. | | 20100760 | 1 2 |