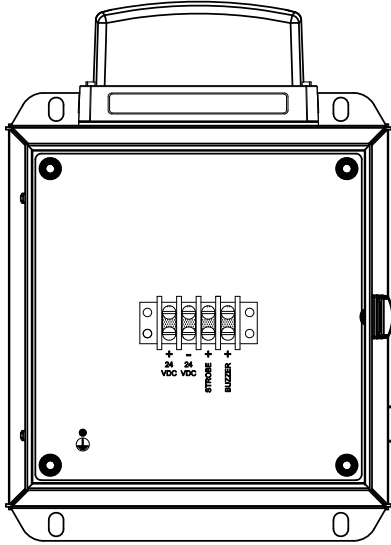


GENERAL NOTES:

- 1) ALL DIMENSIONS ARE IN mm [inches]
- 2) ALL DIMENSION TOLERANCE +1mm (.04 INCHES)
- 3) POLYESTER POWDER BLUE (RAL5015) PAINT.
- 4) MAIN ENCLOSURE: EXM 5412 ESCH141206
- 5) MAIN ENCLOSURE DIMENSIONS: 355.6 X 304.8 X 152.4D (14 X 12 X 6D)
- 6) MAIN ENCLOSURE MOUNTING DIMENSIONS: 374.7 X 254.0 (14.75 x 10)
- 7) REMOTE ENCLOSURE: EXM 5412 ESCH8804
- 8) REMOTE ENCLOSURE DIMENSIONS: 203.2 X 203.2 X 101.6D (8 X 8 X 4D)
- 9) REMOTE ENCLOSURE MOUNTING DIMENSIONS: 222.3 X 152.4 (8.75 x 6)
- 10) JUNCTION BOX ENCLOSURE: EXM ESCH040403.
- 11) JUNCTION BOX ENCLOSURE DIMENSIONS: 101.6 X 101.6 X 76.2D (4 X 4 X 3D)
- 12) JUNCTION BOX ENCLOSURE MOUNTING DIMENSIONS: 124.46 X 66.9 (4.9 x 2.64)

REV	DATE	DESCRIPTION	CHK'D	APP'D
REVISIONS				
ARJAY ENGINEERING			PROJECT:	
ARJAY ENGINEERING LIMITED			4100-OWS OVERVIEW DRAWING	
DWG. STATUS	BY	DATE	TITLE	
DRAWN	F.H.	28 03 12		
CHECKED				
APPROVED				
SCALE	REF. DWGS.	DWG. NO.	SHT.	REV.
N.T.S.		20120810	1	0

**OPTIONAL REMOTE PANEL FRONT VIEW
WITHOUT COVER**



SEE NOTE B

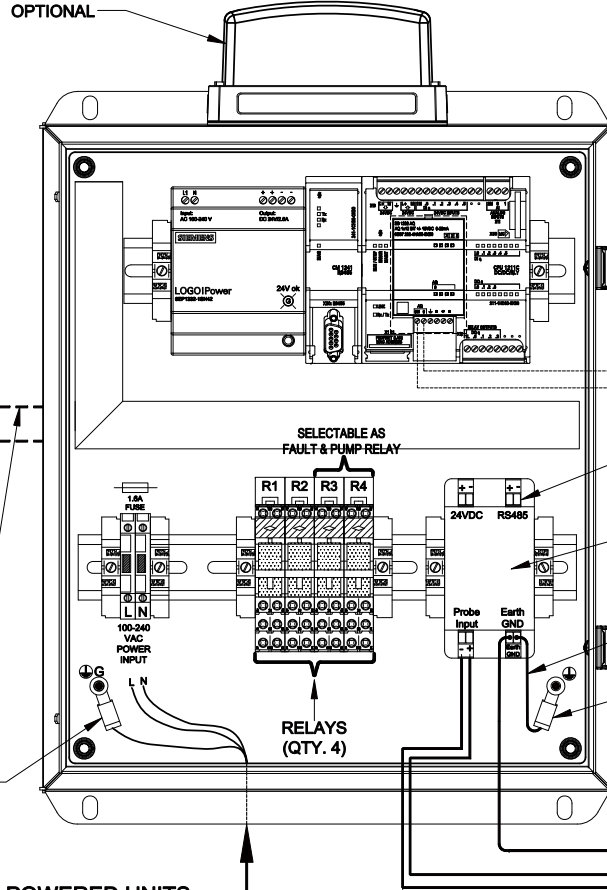
SEE NOTE C

NOTE-B:
Cat 5 Ethernet Cable & Connector

NOTE-C:
4 Conductors (18-20AWG) Cable for
24VDC Power, Strobe & Buzzer

SEE DETAIL B

**MAIN PANEL FRONT VIEW
WITHOUT COVER**



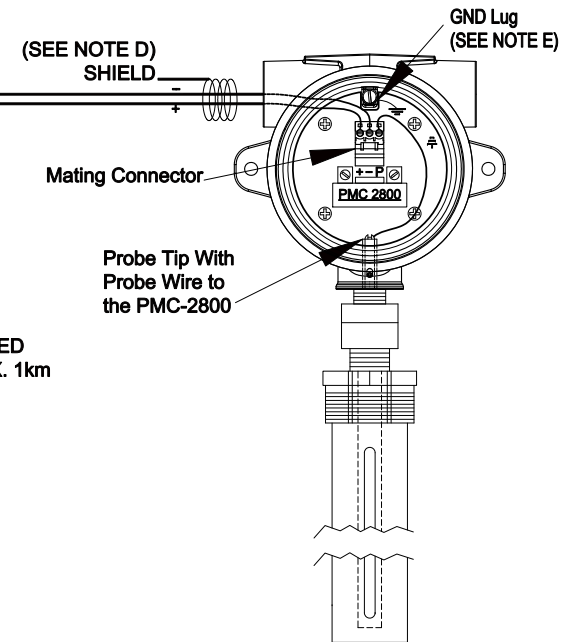
OPTIONAL

POWER INPUT
(SEE NOTE-A)

NOTE-E:
MAKE SURE CONTROLLER AND JUNCTION BOX

NOTE-D:
SHIELD LEFT UNCONNECTED

**LEVEL PROBE JUNCTION
BOX WITHOUT COVER
WITH PMC-2800 CARD**



GND Lug
(SEE NOTE E)

(SEE NOTE D)
SHIELD

Mating Connector

Probe Tip With
Probe Wire to
the PMC-2800

RED WIRE
BROWN WIRE

OPTIONAL
4-20mA
OUTPUT

OPTIONAL
RS485 MODBUS
COMMUNICATION
OUTPUT

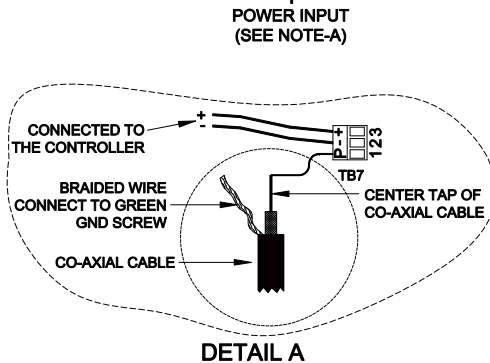
4100 SIGNAL
CONVERTER
(A00740)

FACTORY
WIRED

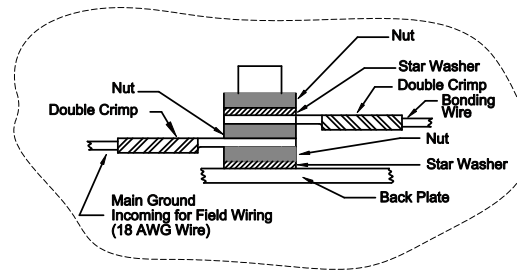
SEE DETAIL B

2-WIRE SHIELDED
16-18 AWG MAX. 1km
(SEE NOTE D)

NOTE-A:
1) INPUT VOLTAGE PER ORDER
24VDC OR 100VAC-240VAC, 50/60Hz
2) TERMINALS MARKED (-) (+) ARE FOR DC POWERED UNITS



DETAIL A



DETAIL B

REV	DATE	DESCRIPTION	CHK'D	APP'D
REVISIONS				
PROJECT:				
ARJAY ENGINEERING			ARJAY ENGINEERING LIMITED	
DWG. STATUS	BY	DATE	TITLE	
DRAWN	F.H.	28/03/12	4100-OWS ELECTRICAL OVERVIEW DRAWING	
CHECKED				
APPROVED				
SCALE	REF. DWGS.	DWG. NO.	SHT.	REV.
N.T.S.		20120811	1	0