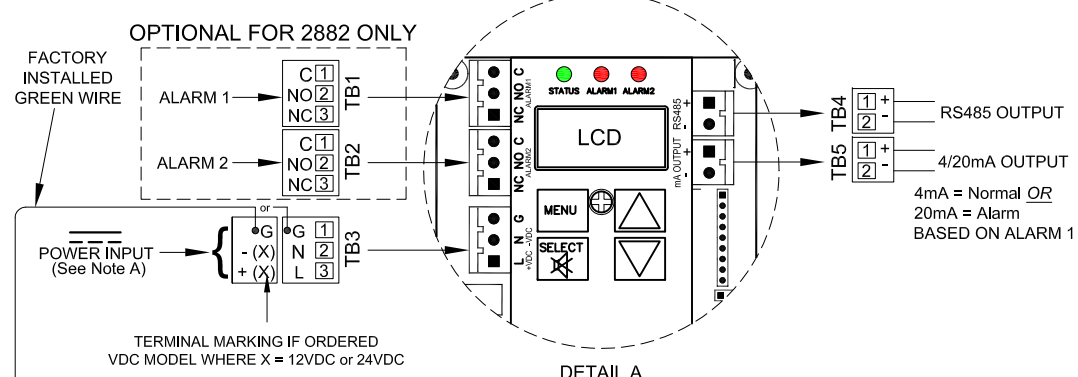
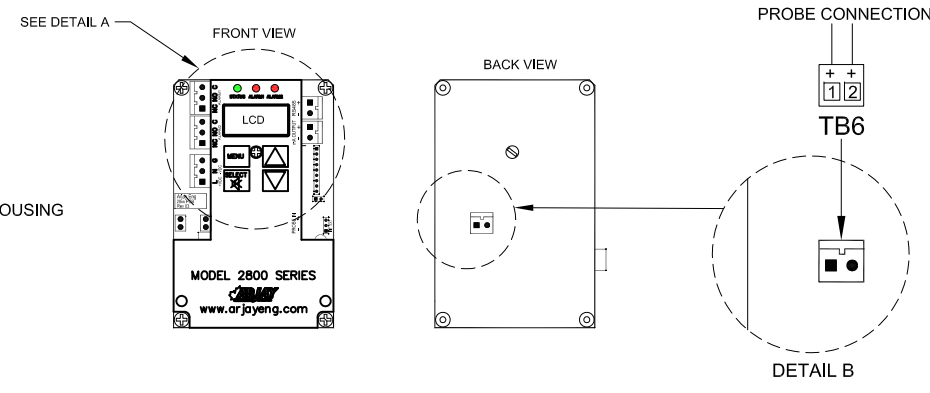


EXPLOSION-PROOF HOUSING  
 CL. I GR. B,C,D  
 CL. II GR. E,F,G  
 CL. III  
 TYPE 4x



NOTE-A:  
 1) INPUT VOLTAGE PER ORDER:  
 12VDC OR 24VDC OR 100VAC-240VAC, 50/60Hz  
 2) TERMINALS MARKED (-) (+) ARE FOR DC POWERED UNITS.

MAKE SURE THAT PROBE JUNCTION BOX HAS BEEN ELECTRICALLY GROUNDED VIA TANK (IF GROUNDED) OR SEPARATE GROUND WIRE

NOTE:  
 LENGTH "L1" & "L2" SPECIFY BY CUSTOMER AT THE TIME OF ORDER.

GENERAL NOTE:  
 1. ALL DIEMENSIONS ARE IN MM [INCHES].

MODEL	DESCRIPTION
2880	PROBE MOUNTED 4-20mA (NON-ISOLATED)
2881	PROBE MOUNTED 4-20mA (ISOLATED) - SEE DRAWING 20100044A
2882	PROBE MOUNTED 4-20mA (NON-ISOLATED) C/W RELAYS

CONTROLLER MODEL: 2880 SERIES  
 STANDARD PROBE MODEL: PCA-"L"MM-D-Z

REV	DATE	DESCRIPTION	CHK'D	APP'D
3	05/09/14	ADDED MORE DESCRIPTION OF 4/20mA		
2	07/02/13	UPDATED ENCLOSURE		
1	01/11/10	REMOVED THE MODEL WITH THE WINDOW OPTION		

REVISIONS

PROJECT:

DWG. STATUS	BY	DATE	TITLE
DRAWN	F.H.	15 07 11	2880 SERIES PROBE MOUNT WITH SHEATH LESS WINDOW DIMENSIONAL & ELECTRICAL
CHECKED			
APPROVED			
SCALE	REF. DWGS.	DWG. NO.	SHT. REV.
N.T.S.		20100044	1 3