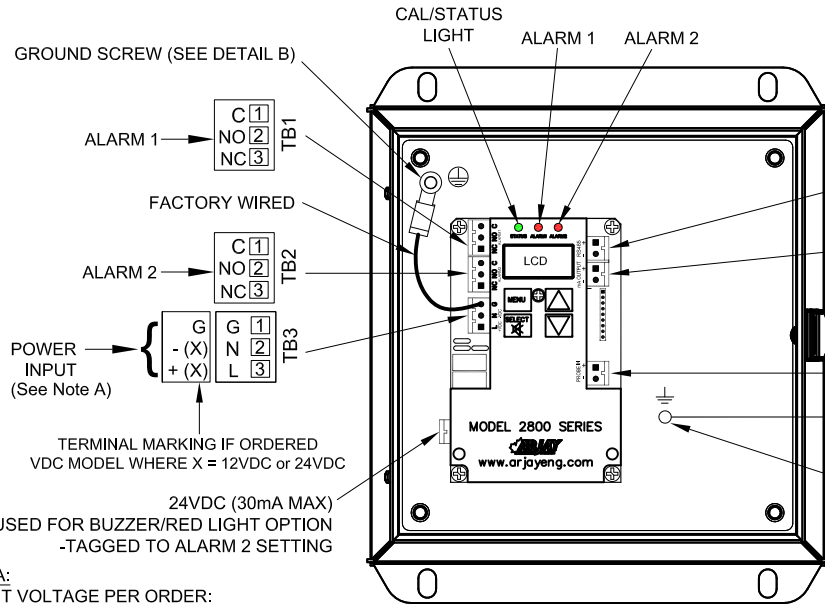
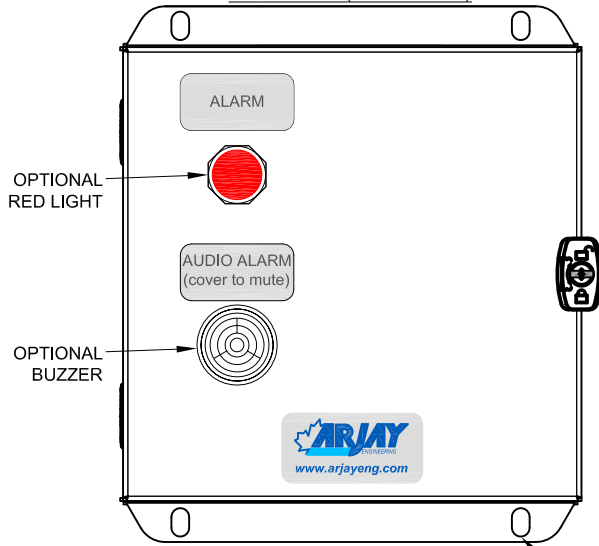


MAIN ENCLOSURE
FRONT VIEW (WITHOUT COVER)



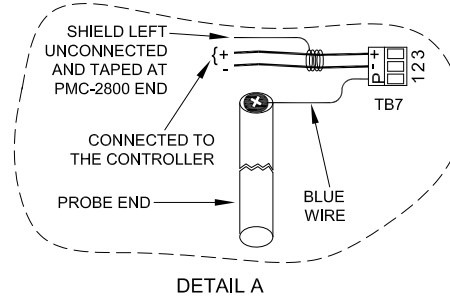
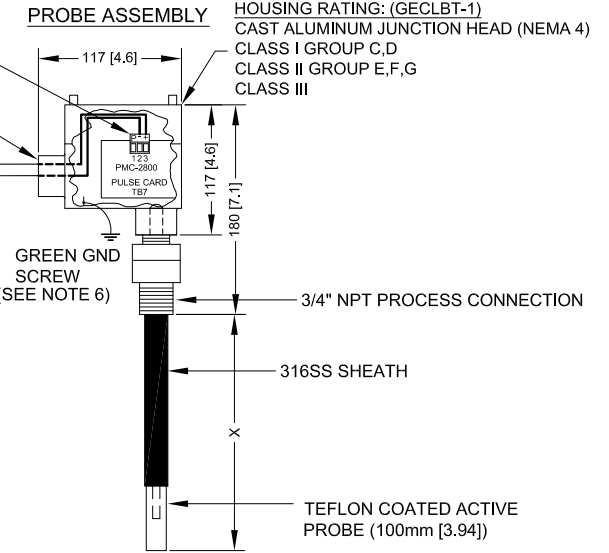
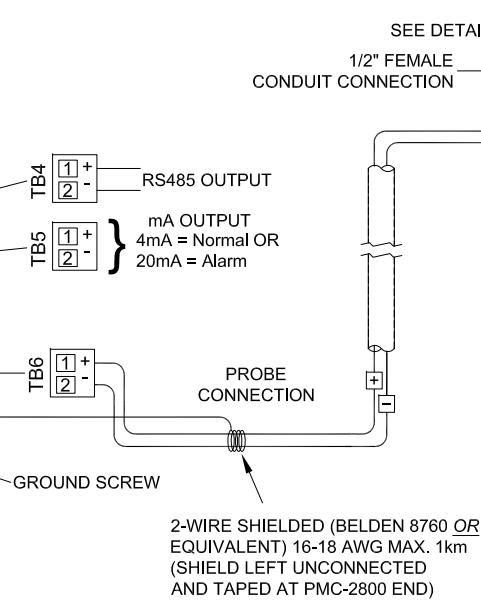
- NOTE-A:
1) INPUT VOLTAGE PER ORDER:
12VDC OR 24VDC OR 100VAC-240VAC, 50/60Hz
2) TERMINALS MARKED (-) (+) ARE FOR DC POWERED UNITS.

MAIN ENCLOSURE
FRONT VIEW (WITH COVER)

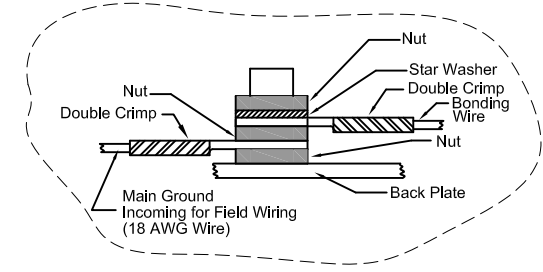


MOUNTING HOLE IS Ø5/16"

- NOTES:
1) DIMENSIONS ARE IN mm [inches]
2) POLYESTER POWDER BLUE (RAL5015) PAINT.
3) ENCLOSURE IS A EXM ESCH080804.
4) ENCLOSURE DIMENSIONS ARE 203.2 X 203.2 X 101.6D (8 X 8 X 4D).
5) ENCLOSURE MOUNTING DIMENSIONS ARE 222.25 X 152.4 (8.75 X 6).
6) MAKE SURE JUNCTION BOX IS ELECTRICAL GROUNDED VIA TANK (IF GROUNDED OR SEPARATE GND WIRE).
7) TYPE 4X POLYCARBONATE ENCLOSURE (OPTIONAL). MOUNTING DIMENSION 222.25 x 101.6 (8.75 x 4).



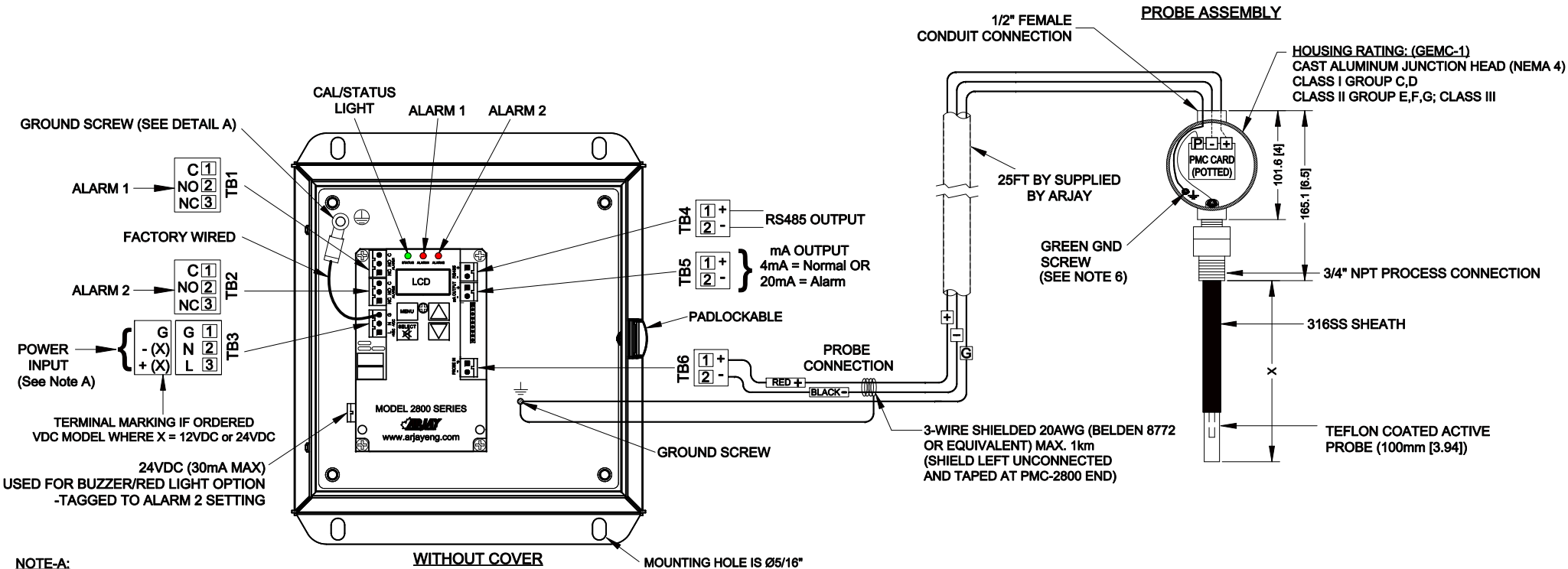
DETAIL A



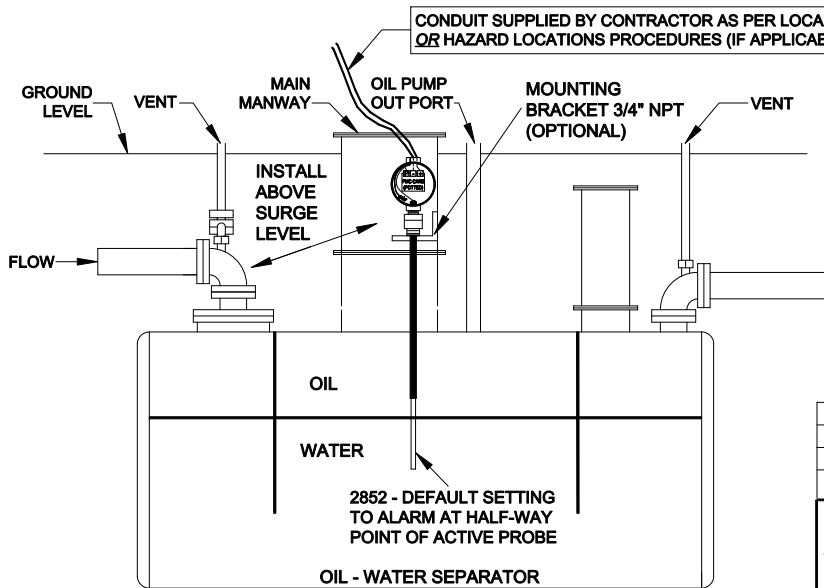
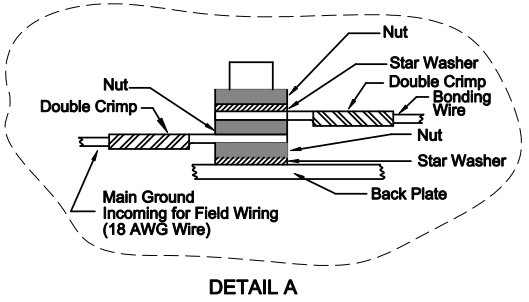
DETAIL B

REV	DATE	DESCRIPTION	CHK'D	APP'D
4	12/02/14	ADDED ENCLOSURE FRONT VIEW WITH COVER.		
3	02/07/13	REVISED DETAIL A		
2	09/04/12	REVISED NOTE: -TAGGED TO ALARM 2 SETTING		
1	21/03/12	REMOVED SLOW BLOW FUSE.		

ARJAY ENGINEERING LIMITED				PROJECT:	
ARJAY ENGINEERING LIMITED				OIL/WATER SEPARATOR LEVEL SWITCH	
2852-OWS DIMENSIONAL & ELECTRICAL DRAWING					
DWG. STATUS	BY	DATE	TITLE	SCALE	REF. DWGS.
DRAWN	F.H.	03 11 10		N.T.S.	
CHECKED					
APPROVED					
DWG. NO. 20100750				SHT. 1	REV. 4



- NOTE-A:**
- INPUT VOLTAGE PER ORDER:
 12VDC OR 24VDC OR 100VAC-240VAC, 50/60Hz
 - TERMINALS MARKED (-) (+) ARE FOR DC POWERED UNITS.



- NOTES:**
- DIMENSIONS ARE IN mm [inches]
 - POLYESTER POWDER BLUE (RAL5015) PAINT.
 - ENCLOSURE IS A EXM ESCH080804
 - ENCLOSURE DIMENSIONS ARE 203.2 X 203.2 X 101.6D (8 X 8 X 4D)
 - ENCLOSURE MOUNTING DIMENSIONS ARE 222.25 X 152.4 (8.75 x 6)
 - MAKE SURE JUNCTION BOX IS ELECTRICAL GROUNDED VIA TANK (IF GROUNDED OR SEPARATE GND WIRE).
 - TYPE 4X POLYCARBONATE ENCLOSURE (OPTIONAL) - MOUNTING FEET DIMENSION 222.25 x 101.6 (8.75 x 4)

REV	DATE	DESCRIPTION	CHK'D	APP'D
REVISIONS				
			PROJECT: OIL/WATER SEPARATOR LEVEL SWITCH	
DWG. STATUS	BY	DATE	TITLE	
DRAWN	F.H.	19/06/13	2852-OWS WITH A00764-"X" PROBE DIMENSIONAL & ELECTRICAL DRAWING	
CHECKED				
APPROVED				
SCALE	REF. DWGS.	DWG. NO.	SHT.	REV.
N.T.S.		20100753	1	0