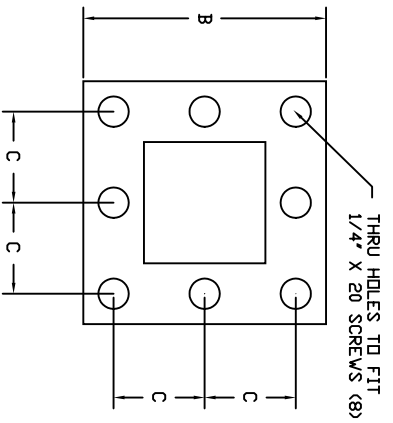
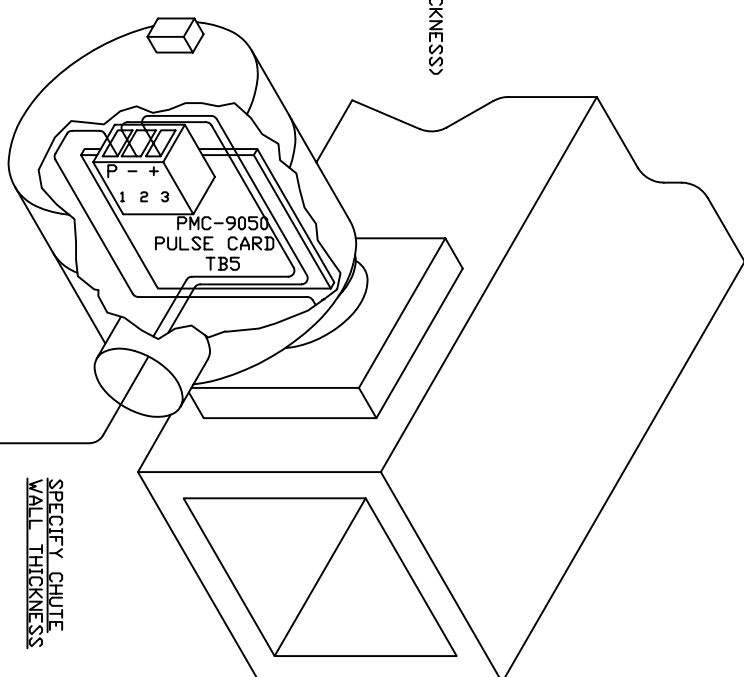
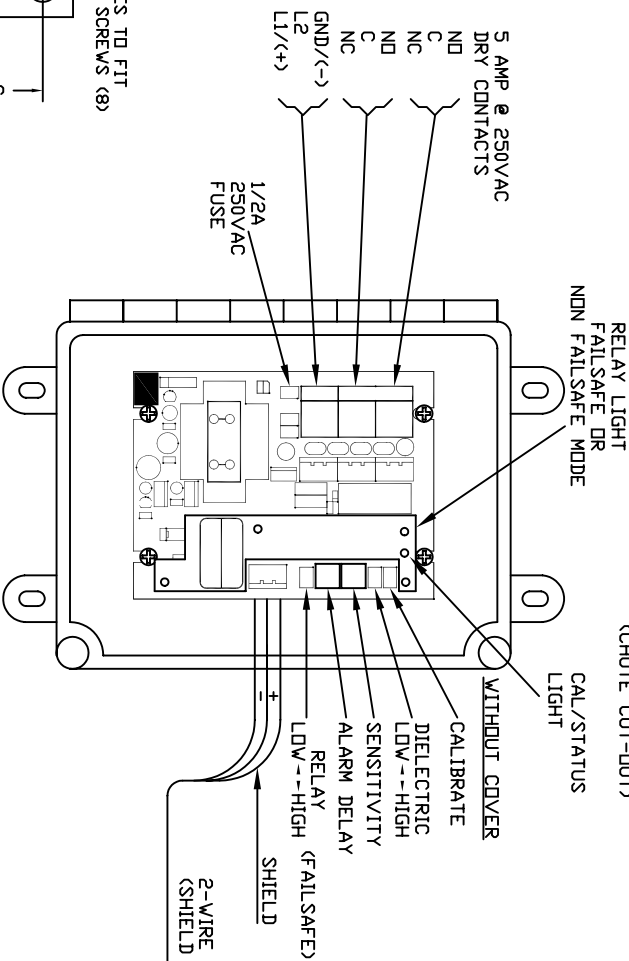
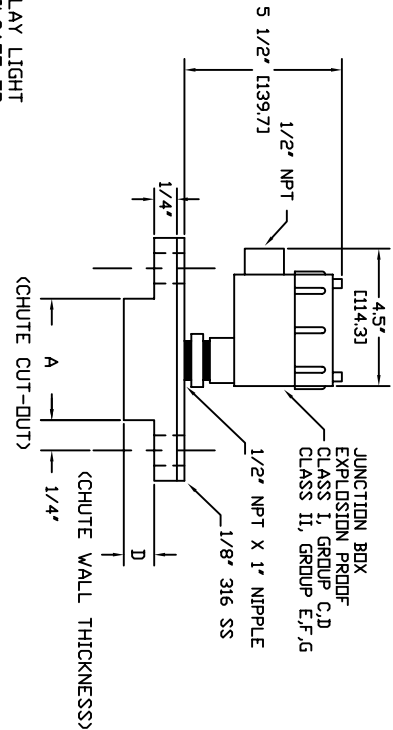


SELECTION GUIDE			
DIMENSION	STANDARD MODELS	CUSTOM	
	Dimensions A,B,C are fixed Customer selects Chute Thickness (D)	Customer selects ALL dimensions (A,B,C,D)	
ALL DIMENSIONS ARE IN INCHES	F-4	F-6	F-8
CHUTE CUTOUT (A)	4	6	8
OVERALL SIZE (B)	5	7	9
MOUNTING HOLES (C)	2.25	3.25	4.25
CHUTE THICKNESS (D)	MUST BE SPECIFIED AT ORDER		



NOTE: VOLTAGE PER ORDER
 INPUT 24VDC, 115VAC, 220VAC

DIMENSIONS ARE IN INCHES AND [mm] (S1)
 ENCLOSURE IS A HOFFMAN A-864CHDRFG
 ENCLOSURE DIMENSIONS ARE 8.5 X 7.0 4.5D (215.9 X 177.8 X 114.3)
 ENCLOSURE MOUNTING DIMENSIONS ARE 9 X 4 (228.6 X 101.6)
 TYPE 4X FIBERGLASS ENCLOSURE

REV	DATE	DESCRIPTION	CHK'D	APP'D
2	1/20/03	ENCLOSURE CHANGED FROM A FIBOX TO A HOFFMAN		
1	7/27/00	ENCLOSURE CHANGED FROM A VYNCKIER TO A FIBOX		
1	7/27/00	CHANGES MADE TO STANDARD MODELS		

		ARJAY ENGINEERING LIMITED	
DIMENSIONAL & ELECTRICAL		PROJECT: PLUGGED CHUTE DETECTOR	
Dwg. No. 990190	Rev. 2	Scale N.T.S.	Date 11/99